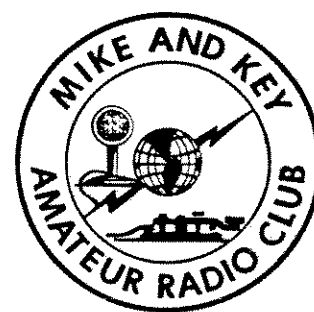
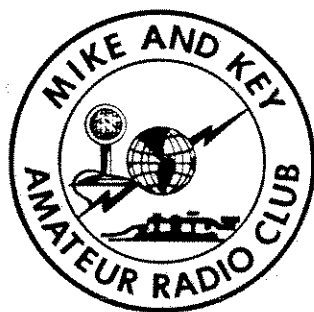


K7LED RELAY



The K7LED RELAY is the Official Publication of the MIKE and KEY AMATEUR RADIO CLUB, P.O. Box 2121, Kirkland, Wa 98083-2121. The club meets the third Saturday of each month at 9:30 AM in "The Good Neighbor Center", 385 S. 43rd St., Renton, WA. All "HAMS" invited. The Mike & Key Net meets each Wednesday evening at 1930 hrs on 224.12 and 146.82-22 Mhz. The repeaters are linked. Your Check-in is welcome.

AN ARRL AFFILIATED CLUB LOCATED NEAR SEATTLE, WASHINGTON

VOLUME 16

NOVEMBER 1988

NUMBER 11

PRESIDENT

Rick Beatty, NU7Z
23115 84th West
Edmonds, Wa. 98020
775-9198

TREASURER

Chuck Stroehrer, WA7EBH
19415 SE 21st St.
Issaquah, Wa. 98027
392-5303

TRUSTEE #1

Jimmy Sutton, WM7A
3516 SW 343rd
Federal Way, Wa. 98023
927-7088

TRUSTEE #4

Pat Shinnars, W7VIH
534 N. 78th
Seattle, Wa. 98201
782-6978

VICE PRESIDENT

Vic Zumbrennen, WB7TBR
22032 8th Ave. S.
Des Moines, Wa, 98188
824-2098

ACTIVITY MANAGER

Hal Goodell, N7NW
987 Lummi, Dr.
Fox Island, Wa, 98333
549-4187

TRUSTEE #2

Ken Jackson, K7PZX
19223 SE Green Valley Rd.
Auburn, Wa. 98002
833-8999

TRUSTEE #5

Dick Keller, W7TWU
933 SW Austin
Seattle, Wa. 98106
762-4459

SECRETARY

Beth Johnston, N7JPN
2314 Sahalee Dr. E
Lacey Wa. 98503
456-6676

RADIO OFFICER

Ken Rau, K7YR
5430 Lake Alice Rd. SE
Fall City, Wa. 98024
222-7711

TRUSTEE #3

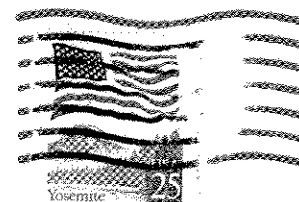
Jim Carpenter, K7PHZ
2125 Elm SE
Auburn, Wa. 98002
833-9017

EDITOR

Joyce Stroehrer, N7JPW
19415 SE 21st St.
Issaquah, Wa. 98027
392-5303

19415 SE 21st St.
Issaquah, Wa. 98027

RELAY DEADLINE - 6 DECEMBER 1988



REPEATER FREQUENCY

52.05 - 53.05
146.22 - 146.82
224.12

First Class

BOARD MEETING

FIRST TUESDAY
OF EACH MONTH

CLUB MEETS:

19 NOVEMBER 1988

**RENTON 10:00
UGN CENTER**

HEDBERG, PETE K7WTG
20904 NE 77TH ST
REDMOND
WA 98053

BREAKFAST: #730
AT MITZEL'S IN KENT

COFFEE AND DONUTS WILL BE READY AT 0930

that all who went last year had a great time and are looking forward to this year, too.

ELECTINS are coming!!!! Have you gotten your nominations in for the candidate of your choice?? If not, contact anyone on the board. Write them down on a piece of paper and get them in NOW--don't delay. Then in March will be the election of officers for the coming year and then in April is the annual AWARDS banquet. This is a must to attend on your calender. Don't miss this one as I'm sure it will be the best ever.

I want to take a minute and thank all of those club members that have spent so much time giving instruction to potential hams. Without them our efforts could possibly go for not. Their dedication is of the highest order--and a hearty thanks is in order--KEEP UP THE GOOD WORK!!

And last but not least, Mike and Ray have done a great job of getting the keyer up and into production. If you committed to purchase all or part of one of these units, please make arrangements to pick them up as these members are out personal funds that they should get back ASAP!

73's Rick

NOTICE TO BOARD MEMBERS

The Board members volunteered to be elected and serve in the position they hold. It bothers me a little that some members are not attending the meetings. I understand there are many reasons why a person cannot attend every meeting, including the hours donated to the Club doing other functions, but when there is not a full complement of Board members present--some members of the Club may not be represented. It is a little like our Congress, if our Representatives are not present for a vote on a bill we feel slighted.

Let us all make a stronger commitment to attend Board meetings.

I'm available for nine lashes from a wet noodle!!! Hi Hi de WB7TBR

DE THE PREZ.....

In the up and coming months we have many activities that all should be aware of and try to attend. I'll try to get them all in here but if I miss one, it won't be because I didn't try.

On the 5th of November we are taking part in the K200 call activity for the commemoration of our country. I hope that you had the opportunity to operate with the K200 call. This is really a once in a life time chance so I hope you were able to participate.

The 3rd of December is the annual club Christmas party. If you have not been before, you'll find it fun to go and take part in all of the festivities. This year it will be at the Ballard Eagles, so set your calender in motion and get it penciled in now. -- See you there!

On the 10th of December we are going to have the first of what I hope will be an annual event. The MIKE and KEY food drive for the boys at the home. This Saturday morning we will be on the 146.82 repeater asking for donations of food thr the home. We will come and get them so you won't even have to leave the house. Just call in on the repeater and we will give you a time as to when we will be there to get your donation. Then at 4PM in the afternoon we will meet at the home and give the food and the turkeys to the home for the holidays. Can you take part?? Yes, try to get all of your friends to donate to and we will be glad to pick up their donation also. If you have the time and want to help please contact me and I'll be glad to get you going on the project. Your support is greatly needed.

Coming sometime in the near future is the Marrowstone work party. Watch for this because I understand

FROM
WORLD RADIO

WALL CALENDAR

Here is a unique opportunity to obtain a large Amateur Radio wall calendar. This 13.5" x 19.5" red-white-and-blue calendar features the words AMATEUR RADIO in very large lettering along the top. There is plenty of space where personalized information (name, address and/or telephone number) can be added. There is also adequate space in each date block to note operating events and appointments that are of interest to you.

We have these calendars available for purchase and pickup by December. Calendar price is \$4 each when picked up at W6LS. The price is \$5 each for calendars being mailed to American, Canadian and Mexican addresses. Each calendar comes in a mailing wrapper.

These calendars make excellent gifts to friends who are amateurs. They provide much needed exposure for Amateur Radio when they are posted in barber shops, business offices, public libraries, recreation buildings, schools, and stores, where they can be seen by the general public. If you are sending a calendar to a friend as a gift, show your own name, call sign and return address on the mailing label you supply.

NEW EXTRA EXAM

Beginning November 1, all FCC Extra Class license examinations will use the new VEC-assembled question/answer pool.

If you are ready to upgrade, a corresponding new study guide with sample examinations is now available on a Commodore 64 disk for \$14.95 postpaid. For more information, send an SASE to Dr. G. Schilling, A161, P.O. Box 2250, Hemet, CA 92343

FIELD DAY 1988

Field Day results have come out and we placed third this year. My kudos well done to all of those that participated in the 1988 effort. Which brings us to the up and coming effort for 1989. The plan is underway and many conversations have been taking place on the club repeaters about this year's Field Day effort. Pick your band and get aboard now so that you can be ready when we get to Fort Flagler in June. It's always the 4th weekend in June so you can put it on your calendar. Whether we do 7A, 6A or some other class will be determined by how soon we get all of the details put together. Remember that the challenge band with the Tacoma Radio Club this year is 40 CW. Let's go out there this year and put ourselves over the top and win 7A. START PLANNING NOW!!!!

Thanks to the many hours put in by our radio officer and our club net controller we now have the two repeaters linked together for the club net. I know that it's sometimes hard to remember to turn on the radio and check in but let's all give it a try. WEDNESDAY 7:30PM

Do you know of someone in the club that is ill or ailing in some way? If so let anyone on the board know so that we can see if there is anything we can do to help. That's what we are here for so let's help!
73's Rick

Community Amateur Radio Public Service is on the air!

A weekly net will be held on Thursdays at 7pm starting November 10th for the purpose of discussing public service events. For this net the 146.82 MHz and 224.12 MHz repeaters will be linked. This net will also list amateur radio classes, VE exams, club meetings (with programs?), ARRL Bulletins, ARRL letter and other items of interest to hams.

Come listen. You may hear something you are interested in. K6DOW

MIKE AND KEY AMATEUR RADIO CLUB MEETING
October 15, 1988

The meeting was called to order at 10:05 a.m. by NU7Z

Pledge

The hat order list was sent around. Sign now and pay later.

WM7A was introduced as the visitor contact person. New people were directed to him if they had any questions.

New on the agenda was a call for those with sickness or distress. If anyone knows of anyone, please write name and call and give to NU7Z, K7PHZ, or N7JPN. A card will be sent.

The Christmas Party will be held at the Eagles in Ballard on December 3. It will be a potluck. W7VIH is chair.

The Awards Banquet will be held April 1 at the Ballard Eagles. N7NW is chair.

KA7QHG collected newspapers.

N7BNJ had coax that had been ordered. If you signed for it, please pick it up.

WB7TBR handed out membership awards and badges.

Applicant N7JMP was unanimously voted in as a member of the club.

WA7EBH gave the treasurer's report.

K7YR gave the radio report. He offered to check hand held radios after the meeting for deviation.

K7PHZ reported on the Election Board. He indicated they would be talking to the members regarding elections. Let someone on the Board know if you would like to run. Don't be shy.

NU7Z opened discussion about the hats. Money will be collected in November and December and hats will be ordered in January. The hats will be approximately \$6.50 and will have a 3-inch club emblem sewn in the front.

We were reminded to bring food for the Boys' Home. NU7Z proposed buying two

25-pound turkeys. Donations were taken, bringing in \$45. One whole turkey donated by one generous member.

K7ND discussed the K200LED.

NU7Z discussed having a work project in December, probably the second Saturday. The work party would include getting on the air asking for donations, collecting the donations and turkeys, and delivering them to the Boys' Home.

NU7Z reported the flea market money was sent in by N7NW.

WA7EBH and KB7ZS went to Ft. Flagler. KB7ZS gave the Ft. Flagler report. He will chair Field Day in 1989.

The next Board meeting will be held November 1 at the residence of K7PHZ.

Any changes in name and address were requested to be turned in to WA7EKH.

40 CW was the band selected for the Field Day competition with W7DK.

The Mike and Keyers are here. Please pick up if you signed up. If you are not going to pick up, please let WA7EKH know. WA7UVJ has the Keyer manual ready. It is six pages and will be in a QST.

WA7EBH gave the Relay deadline as Board Meeting, November 1. If you are not receiving your Relay, give WA7EKH your address change.

W7SRZ gave the ATV report.

KD7NM gave the Packet report.

N7DIP gave the ARES report.

Nets are being held Wednesdays at 7:30. The 2 meter and 220 will be linked soon for the nets.

K6DOW gave the Public Service report with help from WA1SEY.

NU7Z reported the club is growing and activities are being planned ahead. If you want to be involved, let the Board know. Get involved soon, don't wait until time for the activity to happen. Get involved!

WA7UVJ requested that we set up a program for the club to set up receivers on a loaner program. He indicated there are many new novices that would appreciate the loan of a receiver that maybe is not even being used.

The raffle was conducted by KA7QHG in the absence of N7NW.

The meeting was adjourned at 11:23 a.m. by NU7Z.

Submitted by N7JPN.

Mike & Key Committees----

Activities:

N7NW Hal 549-4178

ATV:

W7SRZ Chuck 243-6432

W7TWU Dick 762-4459

Awards Banquet:

N7NW Hal 549-4178

Christmas Party:

W7VIH Pat 782-6978

Classes & Exams:

WA7UVJ Mike 854-4031

K7ND Jim 549-4062

Emergency Communications:

N7DIP Paul 244-3001

Field Day:

KB7ZS Jack 454-2353

Flea Market:

N7NW Hal 549-4178

Food Drive:

W7VIH Pat 782-6978

Net Controls:

KA7CSE Mike 255-7137

Newspapers:

KA7QHG Frank 243-9232

Packet:

KD7NM Bob 827-8005

Public Relations:

???

Public Service:

K6DOW Wayne 271-5314

WA7EBH Chuck 392-5303

Relay Editor:

N7JPW Joyce 392-5303

Repeaters:

K7YR Ken 222-7711

RFI/TVI:

NU7Z Rick 775-9196

WA7EBH Chuck 392-5303

K7PHZ Jim 833-9017

73 WB7TBR

MINUTES OF BOARD MEETING 11-1-88
In attendance: WA7EBH, N7NW, W7TWU, K7PHZ, WM7A, K7PZX, W7VIH, NU7Z, WB7TBR.

K200LED Bicentennial operation next week is organized by K7ND.

On Dec 10, 8:00 AM to 4:00 PM, NU7Z and others will drive "door-to-door" to pick up food for the Boys Home. Coordination will be on the Club 2 meter repeater.

Christmas Banquet on Dec.3 starting at 6:00 PM, at the Ballard Eagles. It will be pot-luck, Club will supply the meat.

Work party (picnic) at Fort Flagler will be latter part of April, the Field Day Committee will start planning after 1-1-89.

Hat collections will be at the November and December meetings. Cost about \$6.50 each.

The Job Descriptions for all Board members was completed by WB7TBR and given to WA7EBH for reproduction. Each Board member will get a copy.

The Long Range Plan was discussed and adopted by the Board. The Plan will be published in the Relay.

The yellow Club booklets need to be updated and copies made. WM7A will look for the masters.

Instead of the Special Events Manual, listing Public Service events and King County ARCs, and other data, the data will be published in the Relay. (Reason: no financial support from other Clubs nor labor to assemble data).

W7TWU will get door greeter team for Nov. meeting: W7PHZ for the Dec. meeting.

Christmas Party will be publicized at the next meeting and on the Wed. night net.

ATV Committee will investigate TV coverage of Food Drive and Christmas Party, W7TWU.

WB7TBR will serve as Public Relations Committee Chairman.

Toys-for-Tots, bring unwrapped gifts to the Christmas Party.

New members approved: N7IHS, KB7FLY, W2JTP, KA7MCH & Wayne Joslin (no call yet).

Next Board meeting at W7VIH QTH.

de WB7TBR for N7JPN

FROM
WORLD RADIO

PUBLISHER'S MICROPHONE

There was a meeting in Portland, during the ARRL National Convention, of equipment manufacturers, publishers, ARRL, etc. Flying back and forth were comments that if there were more amateurs we would have more clout when such as the UPS attempted grab of frequencies and the like occur.

Wayne Green, W2NSD/1, of 73 MAGAZINE says we should aim for 2 million amateurs by the year 2000.

Some say the only way to enlarge the numbers is to have a no-code license.

I'm now of the belief that a no-code license would be the very best thing that could happen to Amateur Radio.

With all possible haste and dispatch, a no-code license would be immediately implemented! Then, after about 900 people apply for it, another whipping boy will have to be found regarding the lack of growth. Canada came up with such a license with zip results.

We heard, "I know vice presidents at electronic companies who would like to be hams, but they don't want to learn the code." Fine. There are a lot of people just like that who HAVE learned the code.

I wonder if pilots hear, "I'd like to fly a plane but I don't want to go to ground school."

Frankly, all this about needing growth may be just a lot of lip flap. If there were a shred of seriousness about it, many steps could be taken.

As it stands, Amateur Radio is the "stealth" hobby - particularly invisible. Practically every newspaper lists the meeting of the bridge clubs, garden clubs, and the like. Has any amateur who's seen that sent in the notice for the radio club?

When Owen Garriott, W5LFL, was in space and talking to the hams on 2M, just about every TV station did a film. Even if hundreds of thousands of viewers jumped up out of their chairs, saying "Wowie, I want to do that!" how would they find Amateur Radio? Where does it exist? How is contact made? Are we in the phone book?

A few years back, one particular large radio club was contacted about having (free) a booth at the state fair, in the state's capital city. Even with a lot of retired members, the offer was turned down for lack of volunteers to man the booth even part-time.

Radio and TV stations have Community Bulletin Boards; the weekly and suburban papers want hometown news. How very few are ever contacted regarding Amateur Radio?

We deserve whatever fate our own inaction prompts. If you are saying, "But I don't know how to do that..." remember - nobody knew how to do anything until they did it for the first time.

We should get rid of, for all time, "Today's technically-minded kids are into computers instead of Amateur Radio." You need Ohm's Law to run a keyboard?

Let's drop the idea that kids don't have any money. They seem to have it for cars, hi-fi, guitars, drums and on and on. Everyone wants to find an excuse and not face up to the cruel truth.

The reason that people (young, old and in-between) don't come into Amateur Radio is they don't even know it exists! And whose fault is that?

We don't have to lower the standards a bit. We don't have to create boxtop licenses and drag in all the lazybones and whiners. All we have to do is find those (and let them find us) who enjoy a challenge.
ARMOND, N6WR

STIR THE POT, GIB.

THE OTHER DAY A BRAND NEW HAM WITH HIS NEW LICENSE WAS WORKING "THE WORLD" ON THE 10-METER OPENINGS OF LATE. BUT HE WAS MYSTIFIED!! THE EUROPEAN HAMS KEPT TELLING HIM "QSL BY BUREAU". HIS QUESTION TO ME WAS: WHAT DID THEY MEAN? & HOW DO I USE A BUREAU. AND WHAT KIND OF QSL CARDS SHOULD I BUY....AND ON AND ON AND ON.

I GAVE HIM AS MUCH INFORMATION AS I COULD KNOWING THAT SOME SLIPPED THRU THE CRACKS. BUT A MUCH BIGGER QUESTION WAS NOT ASKED. THAT IS: WHY WITH ALL THESE CLASSES AND EXAMS AND STUFF DON'T WE HAVE ANY EFFECTIVE "OPERATING HAM RADIO" CLASSES? ARE WE SUPPOSED TO PICK UP THE INFO ON A 2-METER REPEATER? DOES PACKET TEACH YOU HOW TO QSL? CAN YOU FIND OUT ABOUT DX ON A RARE ONE ON 75 SSB?

IT SEEMS TO ME THAT WE ARE WOEFULLY INADEQUATE IN OUR TEACHING HAM RADIO TO NEW COMERS (AND EVEN EDUCATING SOME OLD TIMERS). THE MIKE & KEY CLUB OUGHT TO NOT ONLY ORGANIZE THESE CLASSES BUT SPEND AT LEAST A HALF HOUR EVERY MEETING GOING OVER SOME OF THE OPERATING HINTS, METHODS, PRACTICES, AND WAYS OF MAKING HAM RADIO ENJOYABLE. NOT ALL OF US KNOW EVERYTHING ABOUT WHAT MAKES A GOOD OPERATING HAM, BUT COLLECTIVELY WE CAN SURE PUT A LOT OF "GOOD" INFORMATION INTO THE HEADS OF PROSPECTIVE HAMS, NEWLY LICENSED HAMS, AND SOME OF THE OLD GOATS WHO PROFESS TO BE HAMS.

WHAT'S YOUR REACTION TO THIS SUGGESTION? CAN WE DO IT OR WILL WE CONTINUE TO MULL OVER THE WOEFULL DEATH OF AMATEUR RADIO? ITS UP TO ALL OF US TO GRAB HOLD OF ANY IDEA THAT WILL ENHANCE THE ART OF RADIO SPORTING. THINK ABOUT IT.... de W7JIE.

Happy
Thanksgiving

Monthly UE Testing Report

If interested in helping out giving UE Testing, please see Jim, K7ND or Mike, WA7UUVJ.

Date: 10/15/88 Loc: Renton, WA

Element	Pass	Fail	Tot
1A (5wpm)	01	01	02
1B (13wpm)	00	06	06
1C (20wpm)	01	03	04
2 (Novice)	02	00	02
3A (Tech)	05	01	06
3B (Gen)	00	04	04
4A (Advan)	00	02	02
4B (Extra)	02	00	02
Totals	<u>11</u>	<u>17</u>	<u>28</u>

	Pass Percentage
1A (5wpm)	50%
1B (13wpm)	00%
1C (20wpm)	25%
2 (Novice)	100%
3A (Tech)	83%
3B (Gen)	00%
4A (Advan)	00%
4B (Extra)	100%
	<u>39% Total</u>

Total Upgrades: 5
Total Failures: 12
Total Applicants: 17
Percent Upgrade: 29%

If you are an Extra Class Licensee and interested in becoming a UE, see myself or Jim, K7ND for an application form. It's a lot of fun!
Mike - WA7UUVJ

Do you have a GelCell battery that needs a charger?? I found a "smart" charger described in the June 1987 issue of QST that is a dilly.

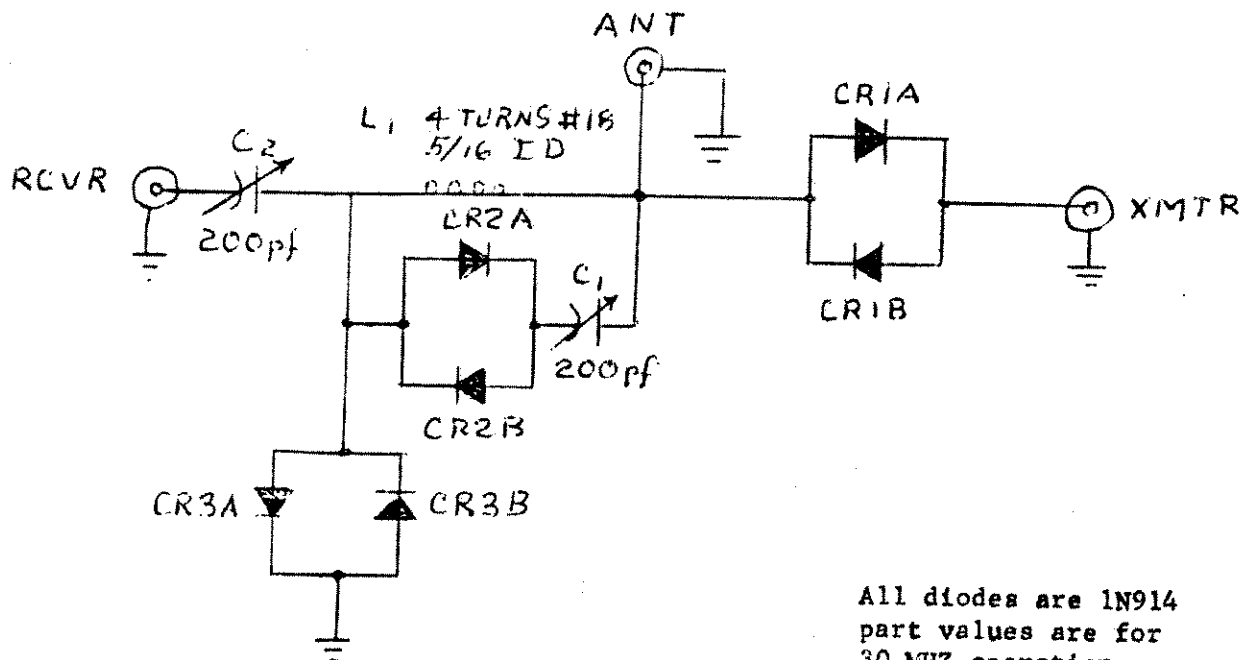
Full charge rate=2.4 V per cell
Float charge= 2.25-2.30 V per cell

Regulates charge current
Tapers charge current as battery reaches full charge.
Compensates for battery temperature.

Can be left on the battery indefinitely

The QST article provides a schematic and good description of operating characteristics. I'm lazy and don't have a large "junk box" so I ordered a kit from A & A Engineering, 2521 W LaPalma, Unit K, Anaheim, CA. 92801. Cost was \$52.45 including shipping.
de WB7TBR

SIMPLE DUPLEXER FROM INEXPENSIVE COMPONENTS



All diodes are 1N914
part values are for
30 MHz operation

All diodes conduct in the transmit mode and
are cut off in the receive mode

1. Low cost and simplicity are two important objectives of circuit design. These two objectives are applied in duplexer (transmit-receive switches) design and the resulting circuit is a duplexer ideal for MARS work in the 10- to 50- MHz region. The duplexer uses inexpensive components that are readily available and does not require external bias supplies or switching signals to make the device work.
2. The insertion loss of the duplexer is about one dB in the transmit and receive modes of operation. The transmit to receive terminal isolation is more than 25 dB for a peak signal of 30 volts. This is usually sufficient for most applications, but if more isolation is needed, a second, cascaded switch can be used to reduce the signal level.
3. The duplexer operates as follows: All diodes conduct in the transmit mode. C_1 and L_1 form a parallel resonant circuit that blocks the transmitter signal from the receiver terminal.
4. Low-level incoming signals from the antenna are blocked from the transmitter terminal by CR1 when the transmitter is off. C_1 is blocked by CR2, and CR3 does not shunt the signal to ground. C_2 cancels the series reactance of L_1 , providing a low-impedance series resonant path to the receiver terminal.
5. This circuit can be modified to operate on higher frequencies, using 1/4- and 1/2- wave line sections, instead of lumped component resonant circuits.

LONG RANGE PLANNING COMMITTEE REPORT

October 18, 1988

Committee Members:

WB7TBR Vic Chair.

K7PHZ Jim

WA7UVJ Mike

K7PZX Ken

The following report is submitted to the Executive Board of the Mike & Key Amateur Radio Club.

BACKGROUND:

Results of the May 1988 questionnaire reveals the following:

1. The meetings are good.
2. How to improve meetings?
 - a. Have technical presentations.
 - b. Have operating practice presentations.
 - c. Have equipment test capabilities at meetings.
 - d. Establish a door greeter team.
3. Continue refreshments at meetings.
4. Continue the Raffle but buy new items.
5. The vote was 50% willing; 50% unwilling to spend \$2.00 for rolls/coffee at a new meeting place.
6. The Relay is considered good to very good.
7. How to improve Relay?
 - a. Have more technical articles.
 - b. Have "guest writers" column.
8. The majority will support "educational committees" on traffic handling, public service, working DX, elmering, TVI, RFI etc.
9. The majority will support more youth activities.
10. The majority will NOT support a camping committee.
11. The majority wanted the same civic activities.
12. The majority wanted the same public service events.

LONG RANGE PLANNING COMMITTEE RECOMMENDATIONS.

COMMENTS:

1. Except for the Purposes stated in the Constitution and By Laws, our Club of today has no UNIFYING goal(s).
2. Based on results of the Survey, some could say we are not doing a very good job implimenting those stated Purposes.

RECOMMENDATIONS: (not in order of priority)

MEETINGS:

1. Establish a door Greeter TEAM.
2. Introduce (stand up) all attendees.
3. Establish "Educational Committees". Subjects to include, but not limited to, Traffic Handling, Public Service, Working DX, Elmering, TVI/RFI, Packet, Youth Activities. Periodically publish Committee members, and reports in the Relay.
4. If we have to move meeting places, try for a more central location.
5. Establish a Technical Quorum quarterly.
6. Have copies of Club Roster at each meeting.
7. Have equipment demonstrations at meetings.

RAFFLE:

1. Buy or obtain new items more often (items need not be expensive but neither should they be junk), ie. books, practical radio

items, gift subscriptions to magazines.

RELAY:

1. Have YL, XYL, Youth column quarterly.
2. Encourage a "Swap Sheet" for members, charge a small fee for each item per publication.
3. Publish the Club Roster Quarterly.
4. Have a "station/member" of the month. Maybe pictures.
5. Get more members to provide newsy articles, "clips" on what members are doing and events.
6. Publish articles from other Amateur publications, ie. Worldradio, QST, CQ, Ham Radio and other Club bulletins.

ACTIVITIES:

1. Start discussion and planning for a CLUB HOUSE and STATION of our own.
2. Initiate an annual "tail-gate" party/equipment sale each fall.
3. Aggressively provide "up-grade" instruction for General, Advanced and Extra licensees.
4. Sponsor Junior High School and/or High School radio clubs.
5. Have an informal dinner once a month.
6. Make the Club more responsive to spouses and families.
7. Get more members to participate in Public Service events.
8. Investigate and work toward becoming an ARRL Special Services Club.

NOTE: THE ABOVE IS SUBMITTED WITH NO INTENT OF CRITICIZING PRESENT CLUB ACTIVITIES WHICH SHOULD BE CONTINUED.

NOTE: IT IS RECOMMENDED THAT THIS LONG RANGE PLAN BE REVIEWED AND UPDATED ANNUALLY BY THE EXECUTIVE BOARD.

Respectfully submitted:
de:

WB7TBR

Vic Zumb Brunner

K7PHZ

Jim Carpenter

WA7UVJ

Mike Hill

K7PZX

Ken Jackson

THE ABOVE COMMENTS AND REPORT WERE ADOPTED BY THE EXECUTIVE BOARD ON
11-1-88

DECEMBER 1988



S M T W T F S

				1	2	3 CHRISTMAS PARTY - EAGLES CLUB - W7VIH
4 FIRST DAY OF CHANUKAH	5	6 BOARD MEETING 1930 QTH OF: W7VIH	7 M & K UHF NET 1930 HRS 224.12/146.82/22	8	9	10 FOOD DRIVE FOR GRIFFIN BOYS HOME NUTZ & W7VIH
11	12	13	14 M & K UHF NET 1930 HRS 224.12/146.82/22	15 BILL OF RIGHTS DAY	16 BRING NEWSPAPERS	17 CLUB MEETING STARTS AT 1000 - COFFEE READY AT 0930-BRING A FRIEND AND NEWSPAPERS
18	19 JR OLYMPICS WAISEY	20	21 M & K UHF NET 1930 HRS 224.12/146.82/22	22 WINTER BEGINS	23	24
25 CHRISTMAS	26	27 SEATTLE MARATHON WAISEY	28 M & K UHF NET 1930 HRS 224.12/146.82/22	29	30	31