



K7LED

RELAY

AN
ARRL
AFFILIATED
CLUB

NEAR SEATTLE, WASHINGTON

VOLUME 14

MAY 1986

NUMBER 5

CLUB OFFICERS

President	Jimmy Sutton	WA7LNO	Trustee No. 1	Uic Zumbrunnen	WB7TBR
Vice President	Rick Beatty	WB7DTI	Trustee No. 2	Pat Shinnars	W7UIH
Secretary	Jim Christiansen	K7ND	Trustee No. 3	Wayne Moddison	K6DOW
Treasurer	Jack Burrell	KB7ZS	Trustee No. 4	Hal Goodell	N7NW
Activity Mgr	Mike Dinkelman	WB7UJ	Trustee No. 5	Chuck Stroehner	WA7EBH

RADIO OFFICER: KEN RAU, K7YR

The K7LED RELAY is the Official Publication of the MIKE and KEY AMATEUR RADIO CLUB, 5430 Lake Alice Rd SE, Fall City, WA. 98024 The Club meets the third Saturday of each month at 10am in "The Good Neighbor Center", 305 S 43rd St. Renton, WA. All "Hams" invited. The MIKE and KEY net meets each Sunday morning at 10am on 3930 kHz with Novice and CW check-in on 3730 kHz, UHF on 146.58 MHz, K7LED/R 52.37-53.37 MHz - 224.12/R MHz.

K7LED RELAY EDITOR
13517 117th Ave NE
Kirkland, WA. 98034

REPEATER FREQUENCY

52.37-53.37

222.52 - 224.12

BOARD MEETING

11 JUN 12

K7YR QTH

CLUB MEETS:

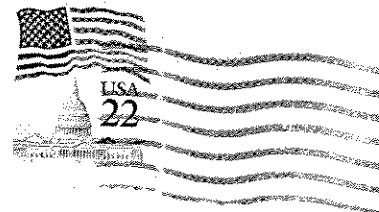
UGN CENTER

RENTON 10:00

MAY 17

ACTIVITY EVENING

SEASIDE



First Class

PETE HEDBERG K7WTD
20904 NE 77TH ST
REDMOND
WA 98073

COFFEE AND DONUTS WILL BE READY AT 9:30

TEST QUESTIONS FOR THE AVERAGE HAM.

(Or can you make 100% on these?)

1. The balanced modulator is used for: A. Removing a sideband from an a-m signal. B. Removing the carrier from an a-m signal. C. Reinserting the carrier from an a-m signal. D. Reinserting a sideband at a receiver. E. Removing a sideband from an FM signal.

2. White noise is: A. The noise heard on a weak signal. B. Noise heard on a repeater during no-signal periods. C. Noise heard from a white-hot radiating object. D. Random shot and thermal noise similar to white light noise heard regardless of frequency. E. Static heard on any band on a clear day.

3. Which of the following is an advantage of coaxial cable over parallel-conductor line? A. Less expensive. B. Reduces line-feed radiation. C. Makes a better direct match to dipole antennas. D. Easier to install. E. None of the above.

4. The United States is in International: A. Region 1. B. Region 2. C. Region 3. D. Region 4. E. Region 5.

5. Propagation conditions tend to recur every: A. 27 days. B. 30 days. C. 37 days. D. 365 days. E. 11 years.

Answers are provided elsewhere in this publication..look for them!

FIELD DAY IS NEXT MONTH, MAKE PLANS TO PARTICIPATE IN THIS EVENT WITH YOUR CLUB AT FORT FLAGLER ON MALLOWSTONE ISLAND

THE BAND CHAIRPERSONS NEED HELP - CONTACT HAL, N7NW AND DON'T FORGET THE FRIDAY EVENING FESTIVITIES



ARRL 1986 NATIONAL CONVENTION
September 5, 6, & 7, 1986



MEETING SITE
TOWN & COUNTRY HOTEL & CONVENTION CENTER
SAN DIEGO, CALIFORNIA

● To Reserve a Room at the Convention Hotel or Obtain Reduced Airline Fares, Call Toll Free: California (800) 542-6082, USA (800) 854-2608. Ask for ARRL Convention Rates.

CONVENTION INFORMATION HOTLINE: (619) 292-7918

REGISTRATION DATA FORM (Print or Type)

Mail With Check Payable to:

SANDARC, PO BOX 82642, San Diego, CA 92138

Pick Up Tickets and Badges at the door

Name _____ Call _____

Street _____

City _____ State _____ ZIP _____

Make Badges As Follows:

Call _____ Name _____ City _____

Call _____ Name _____ City _____

Call _____ Name _____ City _____

HOW MANY		COST	AMOUNT
----------	--	------	--------

_____	Advance Registrations	@ 7.00	_____
-------	-----------------------	--------	-------

_____	Registration After 8/15/86	@ 10.00	_____
-------	----------------------------	---------	-------

_____	Banquet (Prime Rib) (1st 1100)	@ 25.00	_____
-------	--------------------------------	---------	-------

_____	Dinner Cruise (1st 200)	@ 33.00	_____
-------	-------------------------	---------	-------

_____	International Bkfast (1st 500)	@ 10.00	_____
-------	--------------------------------	---------	-------

	Total Enclosed	\$	_____
--	----------------	----	-------

18 Years & Under No Charge For Admission At Door

April 22, 1986

Mike & Key Members --

To whom it may concern: Well, I'm getting my life settled here in Switzerland. Believe me, getting Amateur Radio set up in a Hotel room is not easy. I first tried a dipole in my room. NO GO. I actually got it to match, but with all the steel in the walls around me, forget it. Zero QSO's. Next I thought about a long wire tossed out the window with a simple matching network. Asked my amateur friends here if anyone sold parts, (i.e. - inductors - variable capacitors) Nope!! Not even a Radio Shack. All the radio stores carry manufactured equipment like ICOM, KENWOOD, and YASUE, but if you want to build, it isn't easy. My last resort, a Hustler mobile with a quarter wave counterpoise. EUREKA! My first contact - K20JL in New Jersey. By the way, any more than 50 watts and I blow the TV's around here. By nights end I had worked into Michagin with my mobile 20 meter antenna hanging out the window and 50 watts. Must of been a good night because that was a week ago and I havn't done it since. Lots of Russians though. You can't swing a dead cat around here without hitting a Russian. By the way, 20 meters here is very busy until midnight - local time. They don't give up at 6pm like in the States, and the US stations really coming blowing in, especially on SSB. We're talking S9+, real easy. I tried SSB but CW is my only salvation. Talk about some rough signals - especially the UA's. Makes you wonder if they ever heard of filtered DC.

By the way, to get your HF license here in Switzerland, you have to copy 5 minutes of code with only 3 errors. Before that sounds easy, you have to copy German, French, Italian, and English at 15 WPM. I blew them away when I told them all we had was a comprehension test.

Another suprise, a friend brought in a 2 meter handheld and put it on the repeater. So, I put out my call and waited. Nothing. My friend said, of course nothing, you have to call CQ. CQ on 2 meters!!! That got a response but it sure felt funny calling CQ on a repeater. I know what would happen if I tried that in the US. Well, I've blabbed enough. Gonna try for the US again tonight. By putting my antenna further outside, I think I can run 100 watts. For those willing to try anything, I'm usually run between 14.3 to 14.5 MHz at 2000 to 2200 hours UTC (GMT). England is only 1 time zone away, weird! Will write again. Best Luck to you all. 73 Mike = WA7UVJ

Mike's Address is: Michael Dinkleman, Holiday Inn, Room 318,
CH-8105, Regensdorf, Switzerland.

Why don't you write to him???? He will be there for about three months and I am sure he would like to hear from you.

Here are the names, addresses and phone numbers of the Club Officials. See front of Relay for position.

JIMMY SUTTON, WA7LNG
3516 SW 343rd.
Federal Way, Wa. 98023
Phone 927-7088

VICTOR ZUNBRUNNEN, WB7TBR
22032 8th Ave S
Des Moines, Wa. 98188
Phone 824-2098

RICK BEATTY, WB7DTI
16216 Bagley Place N
Seattle, Wa. 98133
Phone 775-9196

PAT SHINNERS, W7VIH
534 N 78th
Seattle, Wa. 98103
Phone 782-6978

JIM CHRISTIANSEN, K7ND
6122 36TH St. NW
Big Harbor, Wa. 98035
Phone 265-3481

WAYNE HODDISON, K6DOW
16646 SE 134th St.
Renton, Wa. 98056
Phone

JACK BURRELL, KB7ZS
2432 138th SE
Bellevue, Wa. 98005
Phone 746-4176

HAL GOODELL, W7NW
35916 11th SW
Federal Way, Wa. 98023
Phone 927-7603

MICHAEL DINKELMAN, WB7UVJ
637 2nd Ave S
Kent, Wa. 98032
Phone 854-4031

CHARLES STROEHER, WA7EBH
19415 SE 21st
Issaquah, Wa. 98027
Phone 392-5303

KEN RAU, K7YR
5430 Lake Alice RD SE
Fall City, Wa. 98024
Phone 222-7711

EDITOR
RAY E LESLIE, WA7EKH
Phone 821-4188

V.P. REPORT

I have been asked to write a few lines about myself and my background - so here goes -.

I've been a ham for 10 years and presently hold an Advance Class License. My main interest in our hobby is E.M.E. and all facets of VHF sideband, CW activity from 50 MHz up through 1296 MHz. Building equipment for this area is my second love and third is QRP CW operation on the low bands.

My recent return to the Club has been due to the genuine fellowship of the K7LED Club members and our interest in furthering this fine hobby.

Thank you for the opportunity to show my support for the Club and to each one of you for electing me to this office.

Rick - WB7DTI

NEWSPAPERS ++ NEWSPAPERS ++ NEWSPAPERS

We are doing just about the same as we have done in the past, just under a half ton each meeting so far. I would like to better that by about 300 more pounds if we could. I have three neighbours saving for me along with my Daughter in Auburn.

Here is the rundown so far and I will up grade each month.

	M	A	M	J	J	A	S	O
\$	9.90	9.50						

Lets see if we can get a lot more this year as compared to last year. Ray, WA7EKH

PS: I hate to see a grown man cry!!, however someone is JOGING with one foot bare (bare foot) -- I have recovered, from the last load of newspapers, ONE JOGING SHOE OR WALKING SHOE, however you want to call it, whatever. You may have not even missed it as yet, but look and see if you are missing one SHOE. This shoe will be available for the owner to claim at the next meeting.

220 MHZ NET

This last month we have averaged 12 check-ins for every Monday night. I hope that you have been one of them. If you weren't your missing a Club activity that is a lot of fun! And now we have a Swap and Shop for Club members. Check-in Monday night at 7:30 pm and see what's new.

See you then - Rick - WB7DTI

You should belong to and support the ARRL. You are being represented by this organization and they are the only organization that lobbys Congress and the FCC in your behalf.

The ARRL publishes GATEWAY for Packet users, QEX for the Experimenter each at \$6.00 a year for ARRL members. They also publish many other magazines and books for your use all which are quite interesting.

We are working on the Club QSL card, if you need cards with your call see WA7EKH.

SUMMARY OF ARRL LETTER

APRIL 11, 1986

Evidently the Canadians don't take to Amateur Radio when it interferes with the neighbors VCR or TV. A judge moved in favor of the neighbor and fined an Amateur \$2558.00 for causing interference. This could cause trouble for other Amateurs up there.

At Dayton the Ham of the year award went to Roy Neal, K6DUE. Technical Excellence went to Doug De Maw, W1FB and Special Achievement Award went to Rev. Michael Mullen, WB2GQW.

"Northern Kentucky Tower Fund" has been established to assist John Thernes, WM4T, with his legal expenses. It has cost him \$16,000.00 so far and the fight isn't over yet. WM4T hopes this fund can grow into a national fund to help other amateurs fighting restrictive tower ordinances.

Those of you who worked W00RE on the space shuttle should receive your QSL cards soon as they have been processed and are ready for the mail.

The March 14 ARRL Letter reported that awards credit, other than for five-band awards, is now available for contacts on all bands except 10 MHz. We can use the 10MHz on a NIB to Fixed Service. If you intend to use 10 MHz, suggest you check the rules first.

The Fifth Edition (Green cover) of the FCC Rule Book is now available for \$4.00 plus \$2.50 postage and handling. Editor Note: (Your Editor ordered one at a book store in Alderwood Mall for quoted price of \$3.00, it is yet to be seen if the price stays at \$3.00)

Look for W1AW on 7040 kHz between 11:30 pm EDST and midnight if you want to work that station.

Wayne Green, W2NSD, editor of 73 Magazine, visited HQ March 26. Wayne said this is his first visit since the League was located on LaSalle Road!

It is illegal to operate a home simplex autopatch transmitter by remote control from a mobile rig in auxiliary operation unless you use a frequency above 220.5 MHz (except 431-3 and 435-8MHz)

HANDS ACROSS AMERICA

Amateur Radio has been selected to provide primary communications for "Hands Across America." On Sunday, May 26, 1986 some 6,000,000 Americans will join hands in a line stretching over 4000 miles from New York City to Los Angeles. These are the plans of "Hands Across America"; a group formed by the same people that sponsored the U.S. Aid for Africa benefit last year. This endeavor is designed to benefit the hungry and the homeless here in the United States, and is co-sponsored by Bill Crosby, Kenny Rogers, Pete Rose and Lilly Tomlin. The national Communications Coordinator for "Hands Across America" is Charlie Kosman, WB2NQV. In 1984, WB2NQV organized the communications for the Olympic Torch Run across America that lasted 82 days in what he called the longest running net ever assembled for a special event. Now says Kosman, "...we are going to do it all at the same time, linking the east and west coasts by Amateur Radio." According to WB2NQV, the "Hands Across America" people need volunteer Amateur Radio operators every mile of the 4100 mile link, as well as 210 command posts. That comes to between 4300 to 4500 hams equipped with VHF and/or UHF portable gear. On May 25, The line of hand-holding Americans will pass through the following ARRL Divisions.

Atlantic Division: Delaware, Eastern & Western Pennsylvania, Maryland-DC, and Southern New Jersey.

Central Division: Illinois & Indiana

Delta Division: Arkansas and Tennessee

Great Lakes Division: Kentucky & Ohio

Hudson Division: New York City - Long Island, Eastern NY and Northern New Jersey

Midwest Division: Missouri

Rocky Mountain Division: New Mexico

Southwestern Division: Arizona and Los Angeles

West Gulf Division: North Texas

The assembly of participants will begin many hours prior to the 3 P.M. eastern time that all will join hands from coast to coast. In total, each ham who volunteers for this operation must commit to making himself available for about six hours. Amateurs who wish to take part in this massive communications effort are advised to contact their ARRL Section Manager or the individual appointed by him to handle this event. Addresses and telephone numbers of SMs are listed on Page 8 QST.

COMMUNITY AMATEUR RADIO PUBLIC SERVICE

DATE	CONTACT	FONE #	LOCATION	EVENT
May 16-17	K6DOW	271-5314	Shelton Area	Nor'Wester (Sport Car Rally)
May 17	WA7EBH	392-5303	Ballard	Leif Ericsson Festival & Parade
May 17-18	K7QMI	547-0404	U-District	Univ. Dist. Street Fair
May 18	W7AKA	226-4115	U-Dist/Mt Lake.	"Beat The Bridge" 10K Foot Race
May 30 -				
Jun 1	K6DOW	271-5314	Ft. Lewis	Special Olympics
Jun 14-16	W7AKA	226-4115	Seattle- Victoria BC	Tri-Island Bike Trek (ALAW)
Jun 28-29	+++++	FIELD DAY	Merristone Island, Ft Flagler	+++FIELD DAY+++
Jul 4	KA7CNT	825-5321	Enumclaw	10K Run & Parade
Jul 12-13	WA7UEW	587-6731	Kirkland	Moss Bay Regatta
Jul 12	WA7EBH	392-5303	Kent	Kent Cornucopia Days
Jul 20	K6DOW	271-53414	Seattle	Seafair Tri-Athalon
Jul 27 -				
Aug 3	WA7EBH	392-5303	King County	Seafair District Parades & Torchlight Parade
Aug 17	K6DOW	271-5314	Bellevue	Bellevue Tri-Athalon
Aug 23	KE7I	271-6125	Enumclaw	Equestrian Event
Aug 23-24	K7ZBF	454-7243	Puget Sound	Seafair Salmon Derby
Sep 6-8	W7AKA	226-4115	Seattle-Victoria	Olympic Bike Trek (ALAW)
Sep 13	KE7I	271-6125	North Bend	Equestrian Event
Sep 13-15	W7AKA	226-4115	Seattle-Victoria	Tri-Island Bike Trek (ALAW)
Sep 20-22	W7AKA	226-4115	Seattle-Victoria	Tri-Island Bike Trek (ALAW)
Sep 27-29	W7AKA	226-4115	Seattle-Victoria	Tri-Island Bike Trek (ALAW)
Nov 1-2	K6DOW	271-5314	Shelton Area	Tour-De-Forest (Sports Car)
Nov 30	K6DOW	271-5314	Seattle	Seattle Marathon
Dec 6	---	---	Seattle Area	Boat Rides for the Handicaped
Dec 6	KA7CNT	825-5321	Enumclaw	Christmas Parade
Dec 17-24	K7QMI	547-0404	King County	"Santa Talks" (Hospitals)

Contact K6DOW or W7JIE to add or change this calendar of events.

Answers to Questions: 1-B, 2-D, 3-B, 4-B, 5-A What's your score?

1986 SPECIAL OLYMPIC GAMES

The 1986 Special Olympic Summer Games will be held May 31st - June 1st at Ft. Lewis, Wa. Due to the world situation the Army has recently made Ft. Lewis a "closed" Military Installation. Therefore, if you are planning to help on this event, please send the following information to: Wayne Moddison, K6DOW. 16646 SE 134th, Renton, Wa. 98056, or call: 271-5314.

- 1) Name of driver of vehicle; 2) Address; 3) Vehicle color, Year, Make;
- 4) Name and address of riders.

Please submit this information even if you are not sure if you can come as if you are not on the list you will not be able to get on the Fort. The event will be running from 7 am to 4 pm both days. Come even for only 2 hours during a day to help spell others. Bring lunch or you can buy hot dogs at the event. Wayne - K6DOW

NOTES!!! - - - -

I see lots of articles in various amateur newsletters, publications, etc., about "What's wrong with Amateur Radio" And the question "What should we do to better Amateur Radio?". Seems that these people can tell us what they think is wrong but they can't tell us what to do to fix it. They do not have a solution or answer to the problem. Lots of complaining but no action.

Wayne Green comes up with the answers once in a while. Seems that I read something about having a convention of Amateur Radio Clubs once every two years, limiting it to two members from each club that cared to attend. Might get something done this way.

Hey!, Gib, you have to watch those small forigen cars when you make a left turn at an intersection. Glad you had good brakes.

Gib, W7JIE, gave us a talk on antennas which was very interesting, the antenns he talked about was an inverted "L". Think I made one of these once, "Marconi Inverted L", it worked real well.

WHO HAS THE BANNERS!!! We paid \$225.00 for them - somebody say they aren't lost. We need to know the whereabouts of these.

Bob, KB7LM, headed south on his bike and got as far as LA. It is rumored that he will go east from there and who knows when he will get back home.

220 Net had 14 check-ins - - where are the rest of the Club Members.

This is the time of year that attendance at the meetings starts to drop off on account of yard work, fishing and all of those "honey do" things. In spite of that your presence is still needed at each Club meeting - please make all effort to be there.

Len, W7MCU, told me that he had worked 112 countries for the club.

Those of you who are interested in constructing a long VHF Yagi antenna, I have a program on the Apple IIe computer that will provide all the measurements that you will need for anywhere from 6 to 40 elements. All you have to do is ask and I can make a disk

or give you the printouts to your liking.

The donation to the UGN, where we have our Club meeting, has been made in appreciation for them letting us use the Club house.

The Executive Board is asking the Club members what things we should consider using our money for during the next year. Bear in mind that there are some things that the club is committed to and will need funds to pay our obligation, however, there should be some funds left over for other things.

Hal, N7NW, has issued the "last call" for Jackets, T-shirts, etc., with the Club Logo. Give him your order at this club meeting.

Ken, K7YR, says that the 6 meter repeater has a problem, like a third harmonic, however he hopes that, with the cooperation of other people this problem will soon go away. Either that or he may have to move the frequency.

Get your act together and join the others that are going to Seaside again this year. That is a fun Hamfest and above all wear your white jacket. The white jacket stands out like a sore thumb in a crowd and lets them know where you are from.

Later on this year I, WA7EKH, will host a review of the Club Constitution and By-Laws. I guess you could say it will be more By-Laws than Constitution as that is the working part of our Club. So, if there is anything that is bothering you, please get on the review committee or pass along your ideas to me or to any of the Board members. The time and place will be announced later.

Don't be afraid to mention to other Hams that we are going to have another "Fleamarket" at Puyallup again next year. Invite them to attend and/or buy a table.

Are you interested in QSL cards??, If so please see me as we are starting to roll on this one and the more members involved the better it will be.

I didn't get much response on the ZIP plus 4 that I asked for in the last couple of Relays. How about looking up your plus 4 on the front cover of the Radio Shack flyer and let me know so I can put it in the Club roster. After all this does help the mail system.

73 - 88 - Ray - WA7EKH

April 25, 1986

As requested by the ARRL the FCC proposes to enhance the Novice privileges by authorizing telephony or digital communications on the 28, 220 and 1240 MHz bands. This is to encourage more new Amateurs.

The FCCs had adopted a new definition of amateur emergency communications, however, at the request of ARRL, this has been rescinded and the old definition has been reinstated.

Looks like another ordinance recently enacted by a township in NJ in regard to the transmission of radio signals which interfere with home electronic equipment is going down the drain due to conflict with FCC rules.

Watch your power. The FCC is cracking down again on those who operate with too much power, i.e., using 500 watts when 50 watts would get the job done.

The Association of Radio Reading has filed a petition for part of the 220 MHz band. FCC has not as yet assigned a file number to this, so comments would be premature at this time.

The Russian space station, Mir, can be heard on 143.625 MHz.



ENGLISH TOFFEE COOKIES
(Almond Roca Cookies)

1-C Butter	1-t Vanilla
1-C Brown Sugar	1 1/2 C Flour
1 Egg Yolk	10 Plain Hershey Bars
	1/3 C Chopped Nuts

Cream butter and sugar. Add egg yolk and vanilla. Mix in flour. Spread on greased 10" x 13" cookie sheet that has 4 sides. Bake 15 to 18 minutes at 375 degrees. Remove from oven and cover with Hershey bars. Bars will melt, then spread evenly. Sprinkle with chopped nuts while chocolate is still soft. Set in frig to cool. Cut into squares. This cookie will freeze beautifully and can be kept in frig for weeks.

THE PREZ SEZ!!!

Greetings fellow Mike & Key Club members. Its that time again and I am picking my brain to impart some words of wisdom, but thats tuff for me, HI!, I'll do my best.

Hope most of you can make the meeting because the new budget will be presented and hopefully, approved. So if you have any inputs please come to the meeting. Speaking of Club meetings, it was a little or maybe a whole lot disappointing at the attendance at the last meeting (my first as President). Sure would like to see a better turn out at the May meeting. We have a lot of things to "have at" and need inputs of the Club members. Soooo--, how about it??? At least show up even if its to give me a hard time, Hi!!

As you know, Pati, WB7VJA, is filling in for Mike, WA7UVJ, as Activities Manager while Mike is in Europe. Well, Pati has had to take on some additional responsibilities with her work and won't be able to make the Saturday meetings. I'm putting out a plea to the membership for someone to help her out for the May and June meetings. Just need someone to help with the raffel and maybe some sort of activity coordination, what say?? Mike will be back in July.

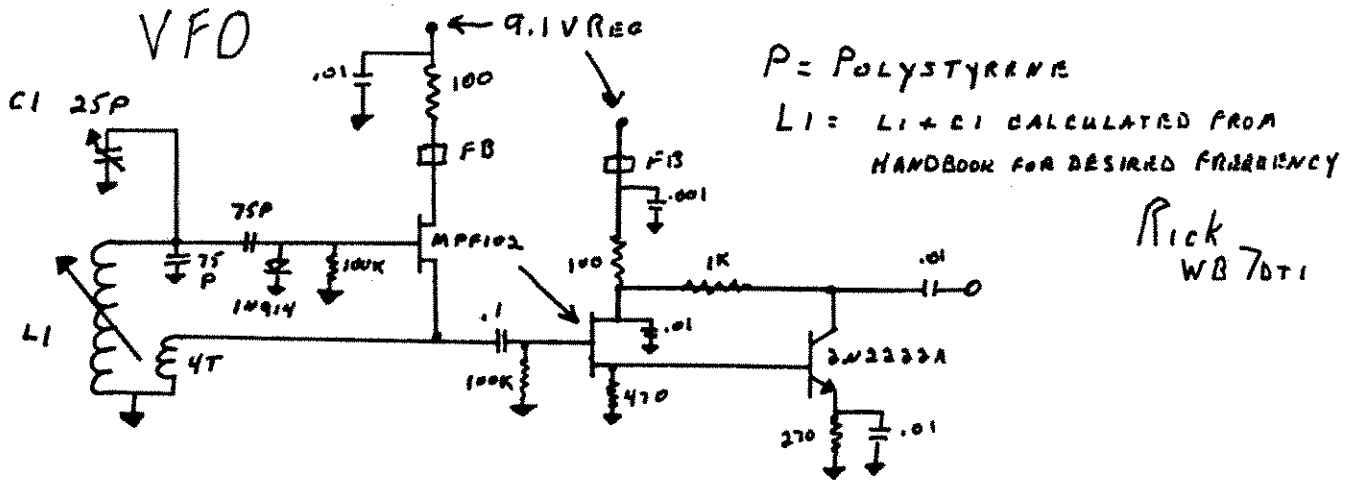
Sure looking forward to Field Day. Its time to start thinking about all those little things that we always seem to forget. (See list of things to bring on next page).

So, guess thats about it for right now, unless I think of something else before this goes to press. Se you at the May meeting. Believe it or not!!, I am enjoying this, Hi, Hi!! 73's Jimmy - WA7LNQ

* * * * BALLARD PARADE * * * *

The BALLARD PARADE will be saturday, May 17, (after the Club meeting). Time: Please be in Ballard by 1 pm. Talk in frequency is 146.58 (call WA7EBH). Parade time is 3 pm.
Chuck - WA7EBH





WESTERN WASHINGTON DX CLUB, INC.

presents the

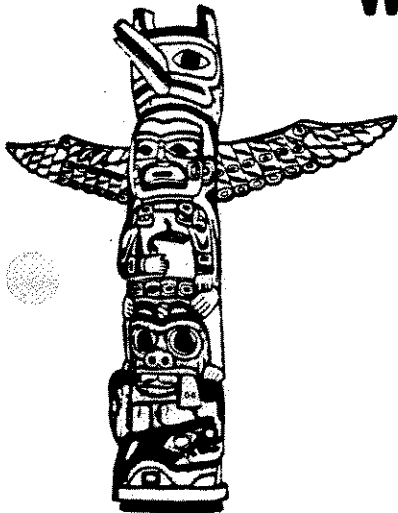
Annual Northwest DX Convention

July 25-27

Sheraton Hotel, Renton, Washington

For more information, contact Western Washington DX Club, Inc.,
P.O. Box 224, Mercer Island, WA 98040

**IMPROVE YOUR CONTESTING AND DX-ING SKILLS!
PRIZES! ACTIVITIES! MAKE IT PART OF YOUR EXPO '86 TRIP!**



**RENEW YOUR ARRL MEMBERSHIP
THROUGH THE CLUB SECRETARY
AS THE CLUB WILL BENEFIT**

**PUT ON YOUR WHITE JACKET AND
GO VISIT A RADIO OR COMPUTER CLUB
THEN COME TELL US ABOUT IT**

FIELD DAY CHECK-LIST

(Revised and Updated Ver. 1.2)

OPERATING

- _____ TRANSMITTER
- _____ RECEIVER
- _____ POWER SUPPLY
- _____ SPARE FUSES FOR ABOVE
- _____ EXTENSION CORDS
- _____ TRANSMATCH
- _____ SWR BRIDGE
- _____ OPERATING LIGHTS
- _____ F.C.C. LICENSE
- _____ LOG SHEETS
- _____ DUPE SHEETS
- _____ SCRATCH PAPER
- _____ LOTS OF PENCILS
- _____ PENCIL SHARPENER
- _____ MICROPHONE
- _____ KEYS, BUG, OR KEY
- _____ CLOCK
- _____ OPERATING TABLE
- _____ CHAIRS
- _____ HEADPHONES
- _____ ANTENNAS
- _____ TOWER OR MAST
- _____ GUYLINE - ROPE
- _____ GUY ANCHORS "REBAR"
- _____ ROTOR WITH CABLE
- _____ FEEDLINE WITH CONNECTORS
- _____ EXTRA FEEDLIN
- _____ EXTRA CONNECTORS
- _____ BARREL CONNECTORS
- _____ MECHANICS TOOL BOX (WITH NUTS & BOLTS)
- _____ ELECTRONICS TOOL BOX (WITH SOLDER AND SOLDERING IRON)
- _____ AMERICAN FLAG FOR TOWER
- _____ CHRISTMAS TREE LIGHTS FOR TOWER
- _____ RIBBON FOR GUY-LINES
- _____ SLEDGE HAMMER
- _____ HARD HAT
- _____ CLIMBING BELT
- _____ 146.58 SIMPLEX RIG
- _____ BACKUP RIG - COMPLETE
- _____ SPARE LIGHT BULBS
- _____ GROUND STAKE, WIRE, AND CLAMPS
- _____ ELECTRICAL TAPE
- _____ DUCT TAPE



PERSONAL

- _____ FOOD & UTENSILS
- _____ SNACKS
- _____ RAIN GEAR
- _____ WARM COAT
- _____ BOOTS
- _____ GLOVES
- _____ TOILETRIES
- _____ GAS LANTERN
- _____ STOVE
- _____ FUEL FOR ABOVE
- _____ FLASHLIGHT
- _____ EXTRA BATTERIES
- _____ MATCHES
- _____ SLEEPING GEAR
- _____ NON-ELECTRIC CLOCK
- _____ FIRST AID KIT
- _____ TRASH BAGS
- _____ WATER
- _____ INSECT REPELENT
- _____ SUN SCREEN LOTION
- _____ CAMERA
- _____ FILM FOR ABOVE
- _____ CASH FOR CAMP FEE
- _____ DRUGS FOR THOSE MALADIES YOU ARE SUCEPTIBLE TO

- _____ mik PAPERS
- _____ READING MATERIAL
- _____ WEED WACKER
- _____ BATTERY CHARGER
- _____ 8 WAY RECEPTACLE
- _____ 50' MEASURING TAPE
- _____ XYL & KIDS

ALSO: Leave phone numbers of hams who are not going to Field Day that can contact the site in case of an emergency. Be certain to bring plenty of water as there is NONE at the operating site!!!

GENERAL MEETING April 19, 1986

Called to order at 10 am by WA7LNQ with pledge of allegiance.

PRES: Put class of license on attendance sheet - Question of the Day: How long have you been a ham? - Minutes accepted as printed in RELAY - Has anyone seen the Club banners?

VP: Today's visitors: KA7OVK, N3CCW, welcome and hope to see you again.

SEC: No correspondence.

TREAS: Balance at the end of March \$6026.29

ACT MGR: Possible CPR class - Seaside June 6/7/8 - Flowers sent to Mrs. Brown - Banquet report

W7JIE: Presentation on antennas.

N7NW: Field day if you want to stay in campground send in a reservation. FD meeting after regular May meeting. Need publicity person.

K7ND/N7NW: Novice class at Highline Community College starts Sept 25.

WB7DTI: 220 MHz net doing well, avg 14 checkins - adding swap/shop.

KB7ZS: 75M net is short of net control operators.

N7NW: Jackets and T-shirts, see Hal to order.

WA7EKH: To chair Constitution/By-Law review committee, send ideas to Ray.

N7NW: Boeing surplus electronic section to be open on Saturday.

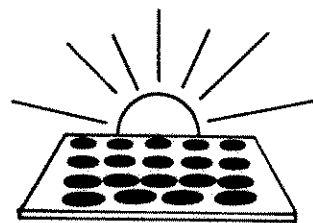
Announcements:

Check RELAY for schedule of Public Service Activities.

Novice class in Kirkland.

Puget Power Communications Center starts May 6 at 7 pm, open to everyone.

Meeting adjourned at 1140 am



BOARD MEETING May 7, 1986

Present: KB7ZS, N7NW, WB7DTI, W7VIH, WA7EKH, K6DOW, WB7TBR, WA7LNQ, K7ND, WA7EBH, K7YR.

Items Discussed:

- 1) Radio Officer - Definition of office
- 2) Budget Draft
- 3) How to use treasury money - Solicit ideas from membership.
- 4) Nets - Recommendation to membership to drop 75m net.
- 5) Draw up a lists of people receiving past awards.

Motions:

- 1) Table further discussion on treasury funds usage
- 2) Approve budget for 1986.
- 3) Buy copy of Roberts Rules of Order, revised edition.

Reports:

- 1) KB7ZS: Donation to Good Neighbor Center paid - Revenue and expense statement.
- 2) WA7EKH: Delinquent dues - QSL cards
- 3) N7NW: Budget - 220MHz repeater - field day needs 40m phone station - Club jackets and T-shirts
- 4) K7ND: No input
- 5) W7VIH: No input
- 6) K7YR: 50 MHz repeater problem being worked on
- 7) K6DOW: Video available from 1983 International Special Olympics. Special Olympics May 31 and June 1 need people to help
- 8) WB7DTI: 220 MHz net
- 9) WB7TBR: No input
- 10) WA7EBH: Ballard Parade May 17 at 1 pm, need people.

Next meeting June 11 at K7YR 7:30 pm.

