



K7LED

RELAY

AN
ARRL
AFFILIATED
CLUB

NEAR SEATTLE, WASHINGTON

VOLUME 14

MARCH 1986

NUMBER 3

CLUB OFFICERS

President	Charles Stroehler	WA7EBH	Trustee No. 1	Jimmy Sutton	WA7LNQ
Vice President	Gene Jacobson	WA7TAI	Trustee No. 2	Mike Dinkelman	WA7UVJ
Secretary	Warren Nixon	K7MRH	Trustee No. 3	Jim Christiansen	K7ND
Treasurer	Mike Cross	WB7AYU	Trustee No. 4	Hal Goodell	N7NW
Activity Mgr	Pati Sutton	WB7VJA	Trustee No. 5		

CLUB RADIO OFFICER: KEN RAU, K7YR

The K7LED RELAY is the Official Publication of the MIKE and KEY AMATEUR RADIO CLUB, 5430 Lake Alice Rd SE, Fall City, WA. 98024. The Club meets the third Saturday of each month at 10am in "The Good Neighbor Center", 305 S 43rd St. Renton, Wa. All "Hams" invited.

The MIKE and KEY net meets each Sunday morning at 10am on 3930 kHz with Novice and CW check-in on 3730 kHz and VHF on 146.58 MHz and K7LED/R 52.37-53.37 MHz.

K7LED RELAY EDITOR
13517 117th Ave NE
Kirkland, WA. 98034

REPEATER FREQUENCY

52.37-53.37

222.52

224.12

BOARD MEETING

TO BIZ
ANNOUNCED

CLUB MEETS:

UGN CENTER

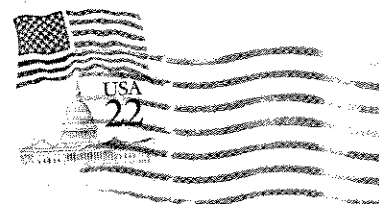
RENTON 10:00

MAR 15th

ACTIVITY EVENING

BANQUET

PETE HEDBERG K7WTO
20904 NE 77TH ST
REDMOND
WA 98053



First Class

Here are the names, addresses and phone numbers of the Club Officials. See front of Relay for position.

CHARLES STROENER, WA7EBH
13614 SE 43rd St.
Bellevue, Wa. 98006
Phone 747-7833

JIMMY SUTTON, WA7LNO
3516 SW 343rd
Federal Way, Wa. 98023
Phone 927-7088

GENE JACOBSON, WA7TAI
7334 126th Ave NE
Kirkland, Wa. 98033
Phone 822-3931

MIKE DINKLERAN, WA7UVJ
637 2nd Ave S
Kent, Wa. 98032
Phone

WARREN NIXON, K7NRH
26908 Avon Court
Kent, Wa. 98032
Phone 854-9028

JIM CHRISTIANSEN, K7ND
6122 36th St. NW
Big Harbor, Wa. 98335
Phone 265-3481

MICHAEL CROSS, WB7AYU
5803 SW Hanford
Seattle, Wa. 98116
Phone 935-2688

HAL GOODELL, N7NW
35916 11th SW
Federal Way, Wa. 98023
Phone 927-7603

PATI SUTTON, WB7VJA
3516 SW 343rd
Federal Way, Wa. 98023
Phone 927-7088

KEN RAU, K7YR
5430 Lake Alice RD SE
Fall City, Wa. 98024
Phone 222-7711

EDITOR
RAY E LESLIE, WA7EKH
Phone 821-4188

GENERAL MEETING Feb 15, 1986

Pres: To order at 10 am by WA7EBH
V.P.: Membership certificates to "Ben"
Bennett and Rick Beatty.

Sec: No correspondence to report.

Trea: Balance \$2301.74

Act Mgr: February: Salem Hamfest. Club
contact on 224.12 simplex.

March: Flea market. Possibly a
tour during month.

April: Banquet

Radio K7YR expects to complete 220 to 6

Officer: meter link within two months.

Public A calendar of activities request-

Service: ing amateur participation will be
printed in RELAY.

K7ND: Training plans in abeyance.

N7NW: Requests donations of suitable gear
to sell at Country Store. Proceeds
to augment repeater fund.

WA7UVJ: Banquet plans proceeding per
schedule. No official response on
mall project.

WB7DTI: Club nets operating with fair support

K7YR: Requests nominations for up-coming
vacant positions.

N8NW: Field Day plans basically postponed
until March.

WA7TAI: Puget Power people are forming an
Amateur radio club.

Adjourned at approximately 1040 am.

ELECTION

FLEA MARKET '86 - - (it's over)!!!!

The victory celebration was once again held in our favorite Chinese Restaurant, Sea Dragon, in Puyallup, Wa. Strange - - this time everyone found their way to the restaurant, even LNQ and he came from his home!! Noses were counted and the tally came out at 29 for dinner - real good!!!

At the fair ground the sellers started to bring in their goods Friday afternoon, I would say by closing time (2100) Friday about 30% of the sellers were in place. The doors opened to the sellers at 0600 Saturday and things got real lively with the rest of the sellers getting in place.

Buyers started to line up as early as 0800 on Saturday, tickets sales were brisk, the doors

opened on the hack at 0900 and the buyers swarmed in. The ticket sales went on into the afternoon and bargains were transacted for lots and lots of electronic equipment.

It has been reported that 1806 tickets were used, somewhere in the vicinity of 100 tables were sold, a few commercial sellers and a couple of display booths.

Lots of items were sold and lots of items were returned home for sale next year or at the next available flea market at the next Ham Fair wherever it may be.

With the cooperation of the weather and interested Hams the Mike and Key Electronic Flea Market '86 looks like a tremendous success. A hearty THANKS to all who helped to make this a success. WA7EKH

COMING ACTIVITIES

Mar 15 - Club meeting

APR 5 - Awards Banquet at Sand Point Naval Station.

Apr 19 - Club meeting

VOTE
ELECTION

*** FIELD DAY ***

I have talked with the ranger at Fort Flagler St. Park and have gotten the okay for us to use the park for our Field day operation as we have in the past. I have several campsite reservations slips and a map of the campsites. I will bring these to the next few meetings for those who wish to reserve their campsites early. At the March meeting we will begin organizing the event. So start thinking about which band you might want to operate.

Hal, N7NW

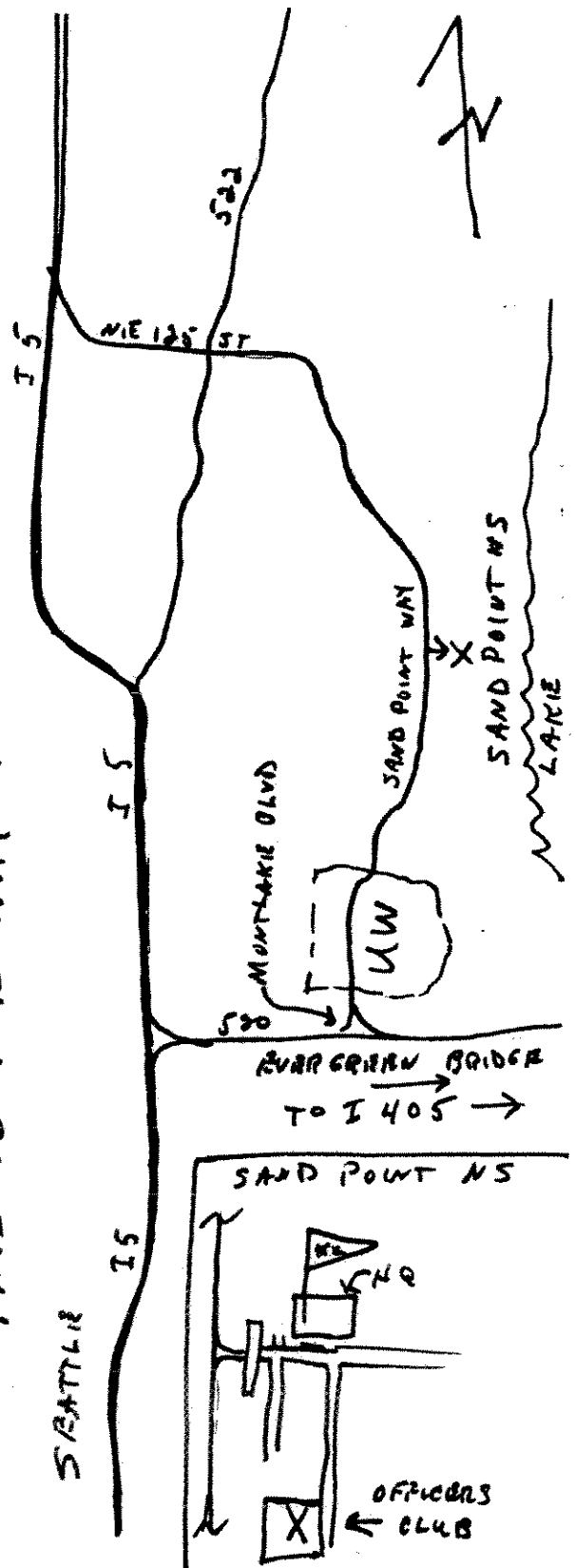
VOTE
ELECTION

++++ CHAMPAGNE CHICKEN +++++

- 1) Clean cut up chicken and coat with flour
- 2) Place chicken into a glass dish and sprinkle with garlic powder to taste. (do not use aluminum pan)
- 3) Open one to two bottles of Champagne. Pour into bowl. Mix in two tablespoons of parsley flakes and dry chives. Let stand for 5 to 10 minutes.
- 4) Pour Champagne mixture over chicken until chicken is covered.
- 5) Bake in oven at 350 degrees for 1 hour and serve.

73-Rick WB7DTI

THIS IS THE WAY TO THE BANQUET



The following is not Amateur Radio related, however, in the public interest, your Editor deemed it advisable this be brought to your attention.

REPRINTED FROM A GRAND LODGE ORDER OF ELKS NEWS LETTER

A WARNING TO ALL PARENTS

According to police authorities, a form of tattoo called "BLUE STAR" is readily available in some areas of the United States. This is a new way of getting ACID to unsuspecting kids. It is in the form of a small sheet of white paper containing blue stars in the size of a pencil eraser, each STAR impregnated with LSD, and can be removed from the paper and placed in the mouth. Absorption also can occur through the skin also, simply handling the paper tattoo!

There are also brightly colored tabs, resembling postage stamps in size, which have pictures of Superman, Mickey Mouse and other Disney characters, butterflies, clowns, etc. and are packed in red cardboard boxes with a picture of Mickey Mouse wrapped in foil in a clear, lock-type bag. This package contains five one-inch square stamps. This is a new way of selling ACID, designed to promote more addicts through appeal and enslavement of children to its addiction. A young child could happen upon these and have a fatal TRIP. It also is feared that little children could be given a free TATTOO by older children who want to have some fun or by others cultivating new customers. It is important that all parents be alerted in case their child is involved, even innocently! As you know, sticker are very popular now, especially among small children.

BE CAREFUL

Anyone having information on these items should contact their local law enforcement agency immediately.

The Johnson County Kansas Drug Squad advises that there is a red stamp called "Red Pyramid" being distributed in the Kansas City area. Also being passed around in this area are "Micro-dots" in various colors, as small as a pin head; and another kind called a "window pane" which has a grid that can be cut out. These are all laced with drugs.

If you or your children see any of the above described, DO NOT HANDLE

These drugs are known to react very quickly into your body and some are laced with strychnine. Symptoms are hallucinations, mood change, and sever vomiting. Get to the hospital as soon as possible, and notify the police!!

*** CLUB OFFICES ***

Since joining the Mike and Key I have held several club offices, including Activities Manager, Vice President, President, Trustee, Activities Manager (again), and now trustee again. I have one year remaining of my present term. It is election time again and I understand that our nominating committee is having trouble obtaining candidates for the offices. I understand why someone who just joins might not feel qualified until they get to know the club and its members but what is the excuse of the other 95% of the members.

Its awful easy to let "George" do it. The only trouble with that is that after awhile "George" gets tired and begins to wonder why he is going to so much trouble being an active member in a club whose members really don't want to participate.

Holding an office in our club and participating-- no -- not just participating, but actively taking part in the club business and activities should be a privilege intrusted into one by the members. It is not fair to those who continue to serve just because no one else will run for office.

When I first joined the club in 1974 the annual elections were a very important part of the club. There were always many willing candidates to run for the offices and election month meetings were always long due to the many run-offs. I would like to believe that the club is moving in a direction which will once again create that kind of atmosphere.

The club repeater has brought many members together who before only talked at the meetings, if then. The club newsletter has really begun to provide a lot of good club information. Plans are underway for a Ham demo at one of the shopping centers. We have begun coordinating with Highline

Communittee College to add Ham classed to their curriculum. Our fleamarket is getting bigger and better every year and seems to for the first year have almost total club support. I believe that the next year could be very exciting for the club and get us back to what a Ham club should be doing.

All of these activities will need support of all the members. I'm sure most of you have been approached to run for an office. If you did not accept I would request you reconcider. I for one care deeply for our club and would like to see the club grow in the years to come. We need you and your ideas. Please get involved.

End of Sermon,

Hal, N7NW

ELECTION

*** REPEATER NEWS ***

The 224.12 K7LED repeater is coninuing for operate flawlessly. Jimmy, WA7LNQ, reported talking to N7TE is Salem on the 5th of March. Now thats DX for a repeater up here... Must have been some sort of propagation temperature inversion. Thanks to those who donated goodies to the repeater fund for sale at the fleamarket. I will have a report on the results in the next relay. For those who have not yet taken the plunge into 220, I understand that Kenwood is about to put a mobile radio on the market. Icom 3AT's and 37A's seem to be the most popular radio's. You can still find good deals at the fleamarkets in the crystal Glegg, Cobra and Midland radios. Crystals can be obtained locally from NW Crystal.

CU on the Machine,
Hal, N7NW

VOTE

SUMMARY OF ARRL LETTER

FEBRUARY 13, 1986

The first paragraph of another article about the "Privacy Act" is as follows:

"You've heard the rumor that we're going to lose phone patching" ----

ARRL is still on top of this and in there looking out for our interest. (editor note: the article is too long to publish here, the ARRL letter will be available for you to read at the March meeting.)

On Jan 16, the FCC, the US Marshal and the FBI served a search and seizure warrant on Orion Industries, Inc of Las Vegas Nevada. They took several thousand dollars of suspected illegal electronic equipment. They were selling video transmitters. Sounds like Orion just went out of business. They had been previously warranded.

Robert Scupp, WB5YYX, wants FCC to give credit for written elements of the exam that were passed just the same as given for code. Sounds like FCC will give the "OK" on this one. Comments in this proceeding may be filed or before April 30, 1986; reply comments are to be in FCC hands on or before May 31, 1986. This is PR Docket 86-63.

Automatic control of digital operation at 50 MHz and above is allowed. There are changes to FCC Rules Part 97. I guess the main thing here is to Section 97.80 (b) No amateur station may be operated under automatic control while transmitting third-party traffic. There are other things involved, so if you are operating automatic digital it may be to your advantage to read up on it.

February 27, 1986

The ARRL has petitioned the FCC to reconsider the part of its Report and Order in Docket 85-105 which stipulates that "no amateur station may be operated under automatic control while transmitting third party traffic".

1200 bits per second translates to about 1400 wpm and I doubt that anyone can read that fast. So how can an operator stop a packet message from going through unless he turns off the machine.

UK Amateurs now have a place in the six meter band - 50.0-50.5 MHz. starting 1 February. So

we should hear them one of these days.

The ARRL has out two new WAC certificates to shoot for. One for CW and one for phone. Lots of other rules have been changed and some added, so if you are interested best you get ahold of the latest rules on WAC.

It is OK now to identify your ten meter repeater in CW.

First time Canadian amateurs will now have to pay a fee of \$26.00.

If you are sending post cards to "Little Buddy" in Paisley, Scotland, the Post Office there would like you to not send any more as the PO box has been closed for about three years and the cards are ending up in the Dead Letter office. They want everyone to stop sending the cards.

FCC has preempted local regulations of satellite antennas. The text of the FCC report is contained in the Federal Register at 51 FR 5519.

The aurora that blanked out the HF bands along about Feb 8 was one of the most intensive auroras in many years. This stopped the HF but sure helped the VHF. It opened up 6 meters to about half of the continent and affected all 50 states. (I missed it) More on this coming in May QST.

FCC budget has been increased to \$96,363,000 and 1855 full-time permanent staff positions.

VOTE

M&K Monday Nite Net + + + + +

Have you been listening on 220 lately??? Do you know there is a net on the K7LED repeater??? Well, if you haven't your missing a lot.

We have "Westlink", Contrest and hobby corner and soon will be Public Service news. Best of all we have Club Activities.

Remember, Monday night at 7:30 pm on 224.12. K7LED repeater and you to can be well informed. 73-Rick WB7DTI

Reprint from GATEWAY Feb 7, 1986

PACKET RADIO IS DELT BLOW BY FCC

Ed Raso, WA2FTC

When the Federal Communications Commission adopted and released its Report and Order in PR Docket 85-105, members of the Commission apparently had not taken to heart the motto: -- "that government is best which governs the least."

In its recent Report and Order, the Commission found that neither the speed with which a message is transmitted, nor the operating mode, justified any deviation from the rule requiring that the control operator of an Amateur station be present at the control point whenever a station engages in third party traffic. If allowed to stand, this will have a direct and detrimental effect on the future of packet radio, particularly PBBS/Gateway operation. Any digipeater serving a mailbox, handling NTS traffic or any other public service third party traffic will require a control operator being present. This is spelled out in 85-105 where the Commission states "...we affirm our present rule that requires the control operator to be present at the control point whenever the station is engaging in third-party traffic."

We received the following report from NI6A about this dilemma. "We have already gotten mixed reactions here in the Bay Area. One club that sponsors a mailbox had their trustee request a change of call sign. Another mailbox group has cancelled their order for a new TNC and radio, and are wondering if they should do anything until further rulings are given. More than one NTS traffic handler has told me 'I guess this is the end of NTS and Packet.' Our group which runs two digipeaters and one mailbox (and was planning one more of each) has mixed feelings. Some members want to continue the status quo while others want to go off-the-air."

Over the past few days PBBS activity on the HF bands seems to have dwindled considerably. It seems as though some PBBS operators are already concerned over the Commission's response to third party traffic. PBBS operators are reminded that you cannot leave a radio on-the-air, if it is attached to an unattended device, if that station is engaged in the transmission of messages that were not originated by that station.

What will be the response from the ARRL to 85-105? The ARRL is deeply concerned about the FCC action in the matter of the automatic-control docket. At its most recent meeting in Newington, the ARRL Board of Directors voted to oppose the restrictions on packet radio imposed by the FCC. According to minute 53 of its annual meeting the board states:

"53) On motion of Mr. Carey, seconded by Mrs. Ferdinand, it was VOTED that the President take such actions as may be necessary and appropriate to cause FCC Docket 85-105 to be amended to correct its restrictive and crippling effect on the development of packet radio and packet-radio emergency communications caused by requirements for the control operator to be present at domestic intermediary relay points for transmission of third-party traffic."

Accordingly, ARRL will file a Petition for Reconsideration on or about February 24th. Additionally, President Price, Executive Vice President Sumner and Washington Area Coordinator Williams will travel to Washington to discuss the matter with the Commissioners or members of their personal staff.

If you plan to file for reconsideration, it would be a good idea to coordinate with ARRL beforehand. Please contact:

Perry Williams, W1UED
ARRL HQ, 225 Main St
Newington, CT 06111

At a minimum, please send a copy of any such filings to Mr. Williams.

Our direction seems well defined and our task enormous. If we are to turn the tide on this archaic regulation we must stand united and inundate the Commission with our comments and objections.

Perry Williams, W1UED, may have summed it up best when he said: "It is clearly a place where technology has outdistanced regulations -- and technology has lost!"

Perhaps, but I think not.

"It ain't over 'til it's over." -- Yogi Berra.

A BOOK REVIEW: "The Easy Way-HF Antenna Systems" by J. M. Haerle, WBSIIR, 105 pages in softcover. Overtones, Inc., 2009 Canillia, Denton, Tex, 76205. \$12.00 plus \$1.00 postage.

I have a stack of antenna books this high. Some good, some fair, some stinko. Some have theories that work and some authors leave large gaps in their work. Pictures, drawings, formulas, are all part of the usual antenna works. Almost as though some authors need to "prove" their theories. Usually you can find some information somewhere that can be used-but in most books its a rare item!

In "The Easy Way" WBSIIR has NO drawings, NO pictures, a couple of simple formulas, and a couple of listings of figures. The reason? All of the book, WBSIIR claims, is the compilation of his talks given on the MARCO net and other "on-the-air" talks. This makes for easy reading and good understanding by anyone.

I found no "surprises", no "gimmick" antennas, or wierd theories. Just straight forward explanations of baluns, dipoles, vees, Zepps, long wires, beams & others. Some changes in your approach to antenna design, SWR, and how-to-do-it-yourself may result when you read the book.

The explanations are easy to understand and follow. Haerle quotes several well-known antenna experts: W2DU, VE3AAR, Jim Fisk or HAM Radio, to cover several contrary arguments frequently heard among those "self-proclaimed antenna experts". His ability to destroy myths was clean but effective. I am glad I have the book, and recommend it to anyone who may want to look at their antenna with a thought to improvement of facilities.

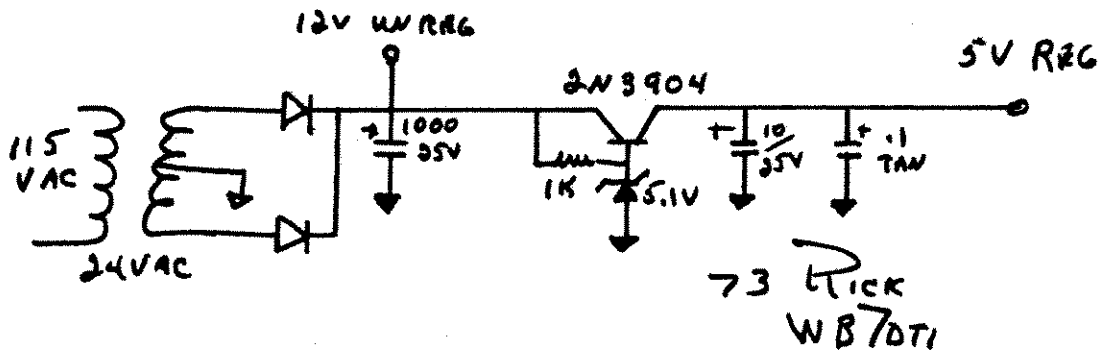
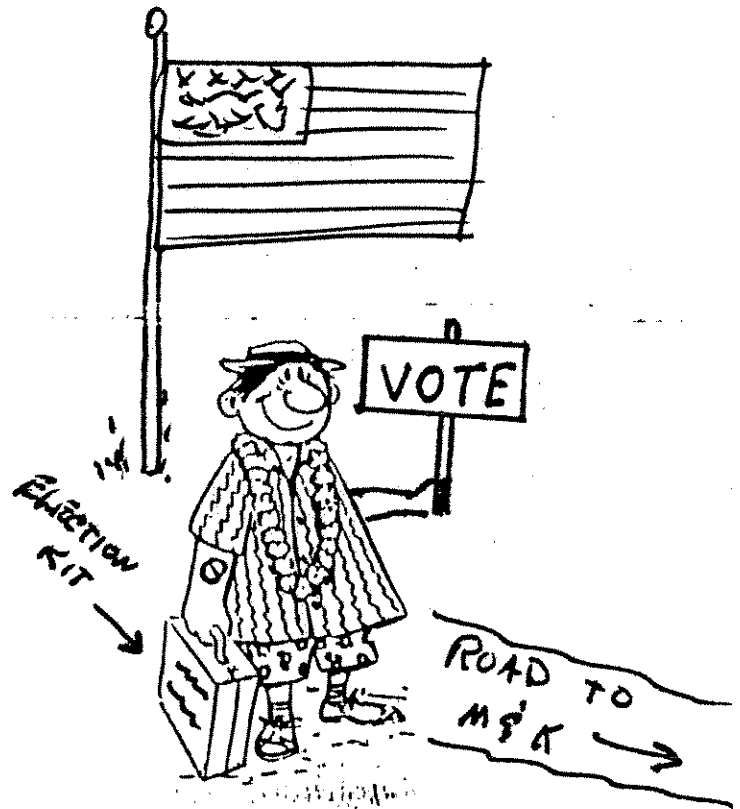
"Gib", W7JIE

ELECTION OF OFFICERS AND TRUSTEES

This meeting we will hold our annual election of officers and trustees. As usual we have
 have someone to run for these positions and the following have volunteered to do this.

PRESIDENT - ????
 VICE PRESIDENT - WB7DTI WB7AYU
 SECRETARY - K7ND
 TREASURER - KB7ZS WA7UEW
 ACTIVITY - WA7UVJ
 TRUSTEE #1 - WA7EBH K6DOW
 TRUSTEE #2 - KA7SEH WA7VEB W7VIH

Just as a reminder - when you are elected to a position you are expected to serve in that position not just hold it. If you see that you cannot administer the position that you are elected to due to a personal problem or your work schedule that will not allow you to attend the meetings, please vacate and let someone else do it that can be there. If you just hold the position and don't show up for the meetings you aren't doing the rest of us any good.



COMMUNITY AMATEUR RADIO PUBLIC SERVICE

DATE	CONTACT	FONE #	LOCATION	EVENT
Mar 15-16	WB70EV	771-4869	Snoqualmie Pass	Special Olympics Ski Meet
Apr 13	KF7N	392-6734	Seattle	Emerald City Marathon
Apr 27	W7JIE	226-4222	Seattle Wide	Diabetes Bike-O-Thon
May 3	WA7EBH	392-5303	Seattle	Husky Crew Races
May 12	KC7CDX	473-3873	Tacoma Area	Annual Daffodil Parades
May 16-17	K6DOW	271-5314	Shelton Area	Nor'Wester (Sport Car Rally)
May 17	WA7EBH	392-5303	Ballard	Leif Ericsson Festival & Parade
May 17-18	K7QMI	547-0404	U-District	Univ. Dist. Street Fair
May 18	W7AKA	226-4115	U-Dist/Mt Lake.	"Beat The Bridge" 10K Foot Race

SCHOLARSHIPS

**THE DAYTON AMATEUR RADIO
ASSOCIATION WILL AWARD TWO
\$1000 SCHOLARSHIPS TO
LICENSED AMATEURS
GRADUATING FROM HIGH SCHOOL
IN 1986. PLEASE MAKE THIS KNOWN
TO ANY AMATEURS IN YOUR AREA
WHO MAY QUALIFY.**

**FOR FURTHER INFORMATION AND
APPLICATION FORMS WRITE DARA,
P.O. BOX 44, DAYTON, OHIO 45401
ATTN: SCHOLARSHIP COMMITTEE**

MIKE & KEY AMATEUR RADIO CLUB
CLUB PROPERTY

<u>ITEM</u>	<u>YEAR ACQUIRED</u>	<u>LOCATION</u>
Tower and Trailer	80 *	K7YR
20 Meter Beam	80	"
15 Meter Beam	80	"
50' Spaulding Tower	75	"
2500' Nylon Guy Rope (Pieces)	77	"
Misc. Guy Anchors, Rods	76	"
Misc Bolts & Nuts	75	"
500' Coax w/Connectors	82	"
3 Ea Hygain Rotators w/Connectors	83	"
3 ea Rotator Cable Assembly	83	"
1 ea Spare Tire for Trailer	80	"
K7LED License	72	K7YR
6 Meter Repeater Antenna	80	KSTW Tower
Trailer Registration/Title	80	K7YR
Antenna, All Band Vertical	75	? Unknown
300' of 10/3 Power Cable w/Reels and outlets	76	WB7AYU
Novice Station, Complete	75	K7PFR
Base Station, Motorola on (146.58 & 147.80/20)	76	Red Cross EOC
AR-22 Rotator (Poor Condition)	75	W7ZLW
Staple Gun	78	N7AVO & N7AMX
Badge Maker	80	"
Xmas Party Supplies	--	"
Old Photo Albums	72	K7YR
Current Photo Albums	82	N7AVO-N7AMX
Awards Album	80	"
Flea Markt Supplies	82	"
Old P.A. System (defec)	75	"
Newer P.A. System (working)	83	"
P.A. Speakers	83	"
Guest Book (Current)	83	"
Misc Event Papers	73	"
Gavel	72	Current President
President's Notebook	83	" "
U.S. Flag	82	" "
ARRL Flag	83	" "
Past Records (3 boxes)	72	Current Secrety
Current Records	82	" "
Sec's Notebook	83	" "
Rubber Stamp Kit	82	" "
Stamp Dater	82	" "
State Charter (In frame)	73	" "
Membership Card Supplies	75	" "
Old Guest Books	72	Current Secretary
QSL Cards Received	72	" "
Club QSL Card	75	" "
Club Stationary	75	" "
Relay History Files	72	Current Editor
Jacket Patch (5")	75	Current Vice Pres
Membership Records	72	" "
Vice Pres. Notebook	83	" "
Raffle Supplies	72	Current Act. Mgr
Raffle Money	--	" "
Activity Mgr's Notebook	83	" "

<u>ITEM</u>	<u>YEAR ACQUIRED</u>	<u>LOCATION</u>
Trustee Notebook 1	83	Current Trustee 1
Trustee Notebook 2	83	" " 2
Trustee Notebook 3	83	" " 3
Trustee Notebook 4	83	" " 4
Trustee Notebook 5	83	" " 5
Treasury Records 1962 to present	62	Current Treasurer
Ledger, Cashbox, Records	72	" "
Checkbook & Acct Numbers	72	" "
Treasury Green Notebook	83	" "
Club Banner	84 *	WA7EKH
FM Banner	84 *	WA7EKH
6 Meter Ant & Mag Mount	84 *	K7YR
40 Meter Beam	84 *	Tower Trailer
Display BD, Certificates	85 *	WA7EKH
220 MHZ Repeater	85 *	Tiger Mountain
220 MHZ Duplexer, BPF	85 *	"
220 MHZ Stationmaster	85 *	"

Compiled by WB7AYU

March 7, 1984

* Rev. I-Mar 7, 1986

WESTERN WASHINGTON DX CLUB, INC.

presents the

Annual Northwest DX Convention

July 25-27

Sheraton Hotel, Renton, Washington

For more information, contact Western Washington DX Club, Inc.,
P.O. Box 224, Mercer Island, WA 98040

**IMPROVE YOUR CONTESTING AND DX-ING SKILLS!
PRIZES! ACTIVITIES! MAKE IT PART OF YOUR EXPO '86 TRIP!**

