



K7LED RELAY

Seattle, Washington

Vol. 6 Number 1

May 1978

ELECTION RESULTS

The K7LED RELAY is the official publication of the Mike and Key Amateur Radio Club Inc., 23206 SE 53rd, Issaquah, WA. 98027. Articles for publication should be presented to Jane Beatty, 426 NE 156th, Seattle WA., 98155. Deadline is the 25th of each month preceding the date of publication. Articles may be quoted in full or in part without prior permission providing the K7LED RELAY is credited.

The New CLUB OFFICERS

President	W7JIE	Gib Gibson	226-4222
Vice President	WA7RJT	Chuck Grazier	392-3764
Secretary	WA7HWX	Jan Hedberg	883-8535
Treasurer	WA7EBH	Chuck Stroehrer	746-4122
Activities Mng.	WB7DTI	Rick Beatty	364-1564
President Emeritus	WA7TOM	Dave Grant	631-6836
Trustee #1	K7WTG	Pete Hedberg	
Trustee #2	WA7EKH	Ray Leslie	
Trustee #3	WA7HQG	John Rehnstrom	
Trustee #4	K7BNN	Jay Mowry	
Trustee #5	K7CR	Clay Freinwald	
Radio Officer	K7YR	Ken Rau	



TO BE VOTED ON

Change to By-Laws Section V Paragraph B

Add: and to be responsible for maintenance of the membership records.

Entire sentence to read: The Vice President shall assume the duties of the President during his or her absence, to include ex-officio membership in all standing committees except the nominating committee and to be responsible for maintenance of the membership records.

Approved by Ex. Board
G.L. Gibson, Pres.
15 April 1978

Even if you're on the right track,
you'll get run over if you just sit there.

2.

BOARD MEETING 4-15-78

members present

Dave WA7TOM, Linda WB7DVX, Dick WA7NIW, Chris WA7RJW, Gib W7JIE, Clay K7CR, Pete K7WTG, Jim WA7HCP

visitors

Debi Holt, Ken K7PZX, & Carl

Old Business

minutes were approved

Treasury- \$3034.58 total balance

banquet is going fine, Dick WA7NIW reported

membership application forms by Debi Holt

WA7TOM moved to pass the form, WA7RJW seconded, motion carried.

form 610 has gone to the Radio Officer K7YR to be sent in.

change in By-Law will be submitted to membership.

keyer sales, 34 sold

Letter on club call modification wrote by Tacoma Club, Pete K7WTG moved that we accept the content of the letter. Seconded Clay K7CR, motion carried.

Gib W7JIE is working on the field day film. He will carry on.

Jim WA7HCP motioned to bring up the tabled motion about Dick N7PK's resignation. Dick WA7NIW seconded, motion failed.

Custodian of club equipment, Chris WA7RJW, made motion to table till next meeting, Jim WA7HCP seconded.

New Business

Dave WA7TOM motioned to buy 6 screw in anchors for field day. WA7RJW seconded, passed.

meeting adjourned

GENERAL BUSINESS 4-15-78

Introductions

welcome to all

club call to WA7HQG Little John

announcements:

Keyers for sale, see Chuck WA7EBH. 43 keyers sold.

Treasurer's Report- \$1.21 left in raffle, \$3034.58 total balance.

Bills presented-

Ray W7EKH motioned to pay bills. Jan WA7HWX seconded, passed to pay.

Minutes were approved after the correction from the blind to the handi-capped (Harry W7JWJ classes)

Old Business

Letter about K7LED club call is being sent.

Field day film presentation, GibW7JIE is still looking into it.

GENERAL BUSINESS cont.

Constitution changes, President Emeritus, voted on by membership, approved. Jan WA7HWX moved to adopt all 3 ammendments, John K7PFR seconded, approved.

Change in By-Laws- motion to pass by Ken K7YR, seconded Jane B., passed.

New Business
Elections

President	Gib	W7JIE
Vice President	Chuck	WA7RJT
Secretary	Jan	WA7HWX
Treasurer	Chuck	WA7EBH
Activity Mng.	Rick	WB7DTI
Trustee #1	Pete	K7WTG
Trustee #2	Ray	K7EKH
Trustee #3	John	WA7HQQ

End of meeting

Congratulations to all the new officers from Dave WA7TOM & Linda WB7DVX.

THE PRESIDENT'S VIEW

Well, the election is over and you have made your choice. I can't tell you how much I appreciate your expression of confidence. I hope that I am up to your expectations and I promise to do my best for the club. Thanks again.

I suppose that I should come up with some wonderful words of wisdom but I'm afraid I can only tell you a few simple things that I believe are worth consideration. The Mike & Key Club is YOU. The President doesn't make it or break it--he only puts YOUR wishes into the club. The Executive Board, the Trustees, and the Officers are only elected extensions of YOU and what YOU want YOUR club to be. So each of us in the offices for this next year are only going to be able to do what YOU want done.

I personally have a few ideas but without YOUR support the ideas are not worth much. I'm sure others in the Executive Board have some thoughts that are worth discussion, but again, without YOU and YOUR support these ideas cannot be developed

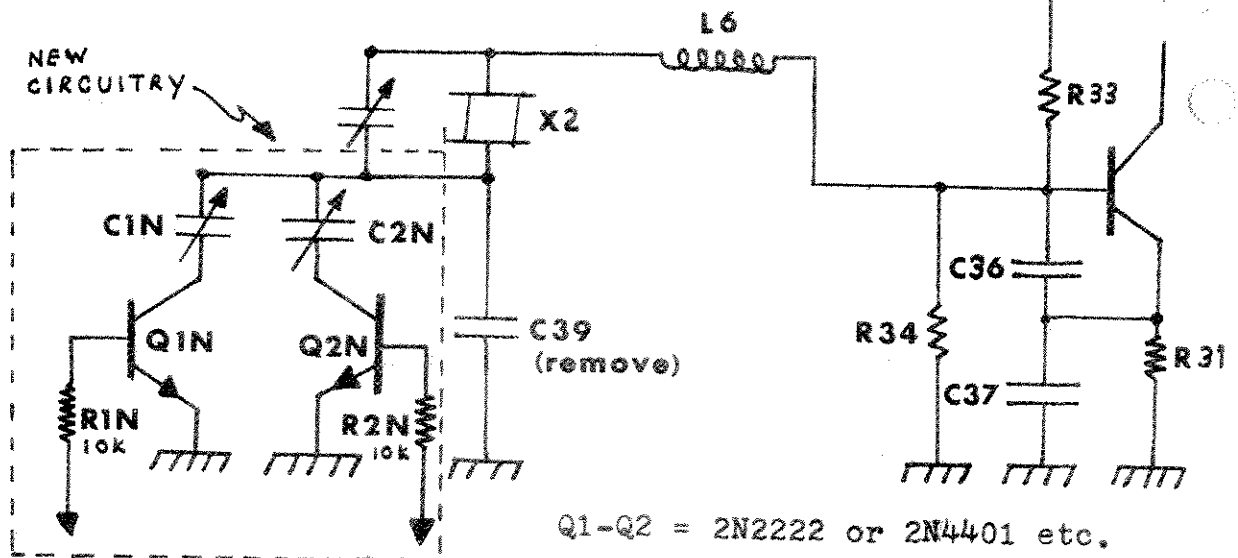
I think YOU get the point. All of us can make the Mike & Key Club what we want it to be but individually we are not able to accomplish much. So I am open to YOUR ideas, YOUR suggestions and above all, YOUR HELP in this coming year. We all want a club we can enjoy and I'm sure YOUR club will represent YOUR wishes if all of us work at it. QTC? QRV.

73, Gib W7JIE

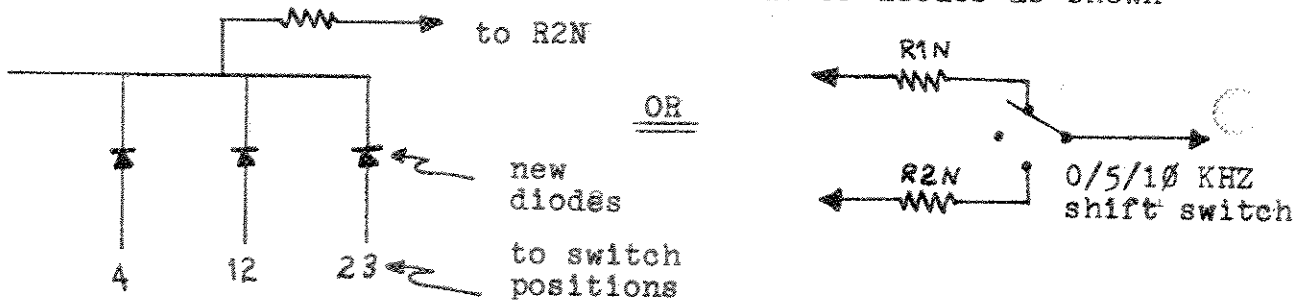
Of course you can enjoy a glorious vacation and stay within your budget- but not both in the same summer



CONVERSION OF THE ICOM IC-22S FOR USE ON 20 & 30KHZ SPACING



- * The idea behind the modification is to move the transceivers frequency down either 5KHZ, 10KHZ or not at all.
- * C1N is selected for a 5KHZ change
- * C2N is selected for a 10KHZ change
- * R1N is connected to the least significant program bit or DO comming from the diode board.
- * R2N is connected either to a diode or diodes as shown



- * An example would be: position 12 might be programmed for 147.03, the new frequency desired is 147.02.....a diode connected from position 12 to R2N will move the radio from 03 tp 02 or down 10KHZ.....R2 could be connected to an external switch.
- * If you do not wish to perform the modification or you would like more technical information contact Bob St.Andre, WA7NAN, 16750 SE 45th, Issaquah, WA 98027. Modification of the rado by Bob will be performed for \$27 to \$32 depending on the parts required (some radios tested required a new crystal).
- * For additional copies of this material send a SASE to WWARA.
- * Bob is employed as a Special Equipment Engineer for Pacific Western Engineering Corporation in Bellevue, WA. He has considerable experience in the design and repair of amateur radio VFH FM equipment and is only too happy to assist those who would like to make this conversion.....additionally he is a board member of the WWARA.

W

western

W

washington

A

amateur

R

relay

A

association

8515 Idlewood Dr. SW * Tacoma 98498

editor's note: it was necessary to retype this item for printing as the copy submitted to the Relay was not dark enough. Nothing was changed from the original except the form of the layout due to different size type on my machine.

CONVERSION OF THE ICOM IC-22S FOR 20 OR 30 KHz SPACING

NOTE

This procedure was developed by Jerry Kryszek, K7RN, and has been used successfully on several ICOM IC-22S transceivers. There may be some variances from radio to radio and slight variation in component values may be needed for a particular radio. If you have questions, contact Jerry on the 80-20 repeater or call 632-2585 in Seattle.

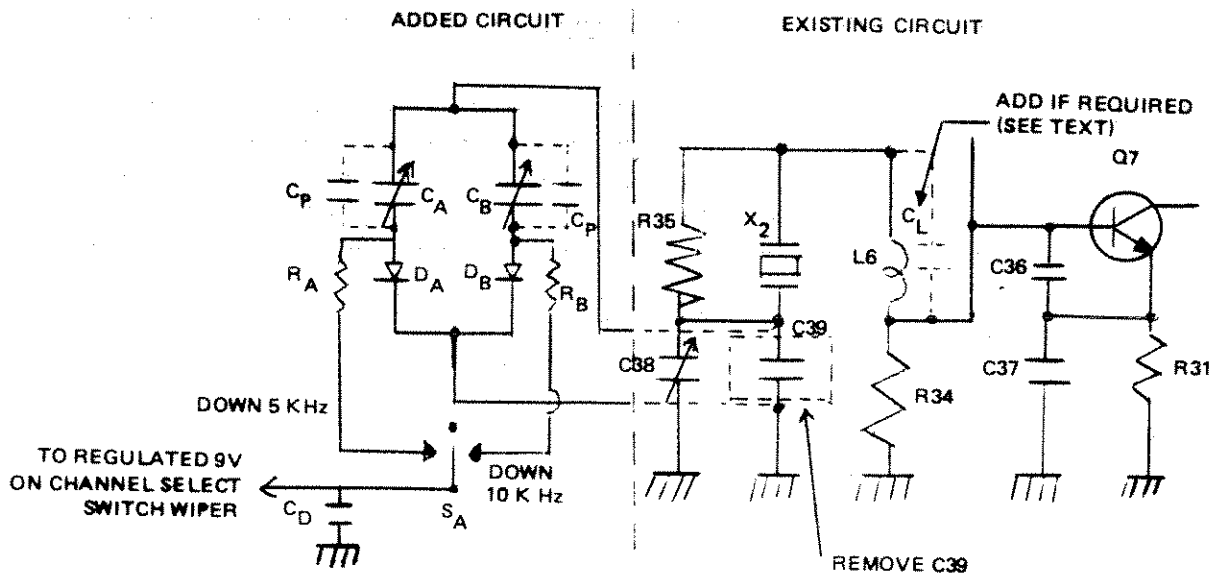
INSTRUCTIONS

1. Connect frequency counter to transceiver. Adjust C38 to be sure frequency goes down at least 10 KHz. If this range is not achieved, add C_L across L6. Recheck frequency spread. If range is still not achieved, a new crystal may be needed.
Reset frequency to original value.
Disconnect counter.
2. Assemble the vector board to fit between X1 and X2. See Figures 1, 2 and 3. **CAUTION:** Keep leads (use solid wire) going from vector board to crystal board as short as possible. Install protective insulation on the bottom of the vector board.
3. Remove C39.
4. Install vector board as shown on Figures 1, 2 and 3.
5. Using personal preference, install switch S_A (external to radio through accessory socket or in a mounting hole in the radio). If the external switch is not desired, internal programming as described in the WA7NAN modification (available from WWARA) may be used.
6. Connect wires from switch S_A to vector board and to regulated 9V on channel selector switch wiper. Bypass line from wiper at accessory jack with C_D.
7. Connect frequency counter to radio. Set switch S_A to center off position. Adjust C38 to normal programmed frequency.
8. Place switch S_A to DOWN 5 KHz position. Adjust C_A to frequency 5 KHz less than that obtained in Step 7, above. If you are not able to obtain this 5 KHz down frequency, add a small capacitor (5 to 6 pf) across C_A and adjust C_A.
9. Place switch S_A in DOWN 10 KHz position. Adjust C_B to indicate 10 KHz less than that obtained in Step 7. If you are not able to obtain this 10 KHz down frequency, add a small capacitor (5 to 6 pf) across C_B and adjust C_B.
10. If in Steps 8 or 9 the OSC will not pull 5 or 10 KHz, repeat Step 1. (Leave board installed). If OSC will not pull down or stops oscillating, a different crystal (X2) is probably needed.
11. Repeat Steps 7, 8 and 9 until all frequencies are within tolerance (± 250 Hz). With 20 KHz spacing, it is important to be as close to the desired frequency as possible.

For additional copies, send a self-addressed, stamped enveloped to:

Western Washington Amateur Relay Association
8515 Idlewood Drive, S. W.
Tacoma, WA 98498

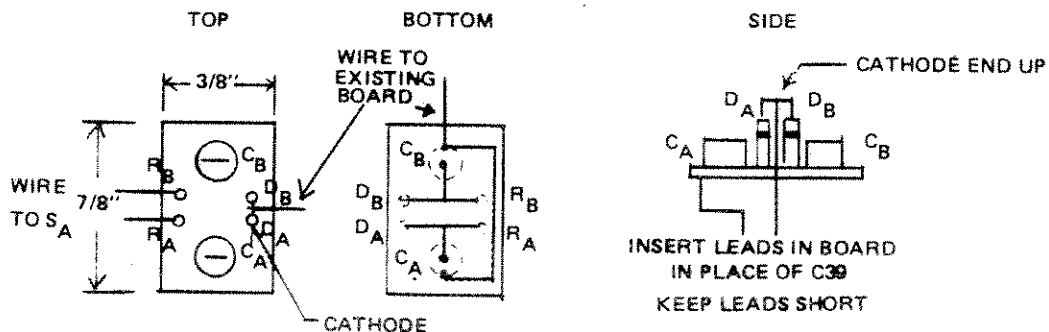
Figure 1. SCHEMATIC



PARTS LIST

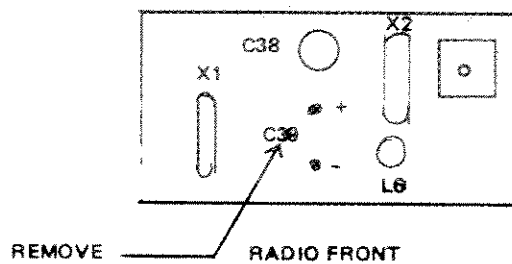
- R_A, R_B 4700 Ω 1/4 watt
- C_A, C_B 5 to 25 pf miniature ceramic trimmer
- D_A, D_B IN914 or same diodes as used for programming diode board
- C_L 2 to 3 pf miniature silver mica or monolithic
- C_P 5 to 6 pf miniature silver mica or monolithic
- S_A SPDT center off switch
- C_D .1 mf ceramic or monolithic

Figure 2. VECTOR BOARD ASSEMBLY



NOTE: Board dimensions shown are maximum that will fit. Make board as small as possible so as not to cover C38 to permit tuning C38.

Figure 3. VECTOR BOARD INSTALLATION



Notes from All Over

Ken K7YR and Tim K7QMI have volunteered to assist with info' gathering for the RELAY. They will be listening for any news which may be of interest, social or technical- give 'em a call. My thanks to you both.

-Jane-

Mike and Key Amateur Radio Club was known for a long time as a club for VFH'ers (technicians). How do we fair now? Exta Class 14.8%, advanced 33%, General 23.5%, Technicians 21.7%, Novice 1.8% and non-Amateurs 5.2%. Congratulations to all who upgraded, maybe we can help the Novices, Technicians, Generals, and non-amateurs to upgrade.

-Ken K7YR-

Jimmy Sutton WA7LNQ is now sporting a "rotten banana" - a yellow Celica with two black ends Corinne Christiansen, where did you learn all those old songs you were singing at the Banquet? They are older than you and I combined! Must have come via 2 meter scatter Third Saturday morning of the month, 0500, "Fall in for muster marching drill!" states Gib W7JIE Les WN7NXC is now sporting revised van, has a problem however. He can't decide how high to mount the Biffy, he's getting so old he can't get up from sitting! John K7PFR now has his 15 and 6 meter beam installed, hows DX John? Sue WB7DVZ and Tom WA7TBP have upgraded their home, sold the old and bought a new. Congratulations N7OM has a new antenna, 4 el 20 meter beam at 120 ft., I'll bet he's trying to outdo his neighbor, WA7RJT Linda and Ken K7YR have a new trailer, real neat! Lou WA7ELI has been collecting cardboard. You going to build a new house Lou? Is that called a "dog house"? Chuck WA7EBH got himself a new van. A possible third porcupine? Hal N7NW has been baying at the moon via 2 meters all the preceding compliments of K7YR

Ken Jackson K7PZX has given us the OK to make a printed announcement of his engagement to Lois Capps - this is it, folks.

Jim W7GPW and Chuck WA7RJT need a work party to paint and complete repairs on the club trailer. Please contact them if you're willing to help (sidewalk foremen don't count).

Jim WA7HCP has a catalog for "academic" T-shirts, really unique. If you're curious call him, 228-3872.

The women's prizes at the 7th Annual Mike & Key Banquet were a huge success. I want again to thank all of the women who donated a prize. Thanks. P.S. We will remember you for next year.....

-Jan Hedberg-

I have been approached by several individuals who have turned in Friendship Award contacts and have not received their certificate. If the above pertains to you and you have not talked to me about this, please contact Jan Hedberg 883-8535. Also if you have not received a Membership Certificate, please let me know.

-Jan WA7HWX-

6.

* CORRECTIONS *
FOR THE ROSTER

1. Archie Brush - zip code 98188, phone 878-2833
2. Al Jensen - Advanced
3. Lew Rambo - phone 488-9120
4. Nick Winter - 5416 S. Steele #18, Tacoma 98409, phone 475-1608

Please remember to record these changes on your copy of the roster.

a word of praise

The Banquet was a "smashing" success again this year. Those of you who did not attend missed not only an excellent dinner (altho' somewhat abbreviated from the menu), but also some touching moments during the awards presentation.

Dave WA7TOM received the President's Plaque from Ken K7PZX and turned the office and gavel over to Gib W7JIE. Jan WA7HWX and Gib W7JIE were presented with the Pop Brown Award, Outstanding Achievement went to Les WN7NXC, and Outstanding Field Day to Charlie WA7ZLV.

Gib, Jan and Debi outdid themselves with the prizes:

MEN'S

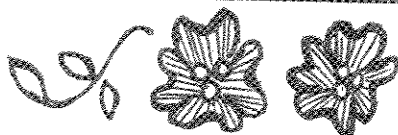
- 1st - \$116.00 in a tackle box to Dick WA7NIW
- 2nd - Swan SWR Bridge to Les WN7NXC
- 3rd - Audio filter to Jim W7GPW

WOMEN'S

- 1st - \$75.00 to Judy Aeschliman
- 2nd - Cruise for 2 to Victoria B.C. to Shirley Lundstrom
- 3rd - Book on "King Tut" artifacts and history to Linda Tillet

Our thanks to Sue WB7DBZ and all the others who devoted time, work, and thought so the rest of us could have an enjoyable evening.

-Jane-



FOR THE LADIES

CHERRY FRITTERS



- | | |
|------------------------|---------------------------------|
| 1 c. all-purpose flour | ½ c. milk |
| 1 tsp. baking powder | 1 tsp. vegetable oil |
| 1 tsp. salt | 1 c. pitted dark sweet cherries |
| 2 eggs | |

Heat 2 or 3" of oil in deep fat fryer to 375°. In medium size bowl combine all ingredients except the cherries. Mix well then stir in cherries. Drop batter by Tablespoonfuls into hot oil (no crowding). Fry until light brown, 4 to 5 minutes. Drain off oil onto paper towel, sprinkle fritters with powdered sugar and serve with maple syrup.
Makes about 2 dozen (maybe less)

I'm still waiting for some of you to send me recipes. I enjoy printing things outside the field of radio but the input from you is necessary. Open up those homemade cookbooks and send me a few of your old favorites. I accept things written on paper towels, used envelopes, package labels, and from those more organized than myself, postcards and stationary.

DUESFebruary (pay up quick)

Gary WA7BBJ
Jon W7PHZ

March

Al WA7LWP
Bruce WB7NRC
Chris WA7TJT

April

Chip K7JA
Tim K7QMI

May

Wally W7ZSL

June

Clay K7CR
Dick WB7FEP
Nick WA7IVO
Alex WB7NXI
Jerry K7RN

The following people were dropped from the membership because of non-payment of dues. Anyone wishing to rejoin the Mike & Key Amateur Radio Club may do so by filling out a new membership form and paying all back dues. This is in accordance with the Constitution. Please remember there is only a 3 month grace period after which your name and call will be listed in this paper and you will be dropped from the membership.

Bev WB7ACS
Larry WB7AEH
Bill KL7BB
Don WB7CBL
Al W7FOV
Mike K7LYK
Dave K7NZU
Chuck WA7OEF

Owen WA7QFD
John WA7SLO
John K7SRX
Denny WA7TQS
Don K7UGQ
John WA7YIG
Ernie W7YTE

If you are listed above but have paid your dues, please contact our new Vice President who will be in charge of the membership records. Chuck Grazier WA7RJT, ph. 392-3764

Our next Board meeting is April 29th, 10 AM, at Cocoa's in Bellevue.

General meeting on May 20th, 10 AM, at the UGN Center in Kent.

ANATOMY OF AN ORGANIZATION

WISHBONES: members who want someone else to do all the work
JAWBONES: members who talk a lot and do little else
KNUCKLEBONES: members who knock everything others try to do
BACKBONES: members who get behind the wheel and do the work

Which are you ???

OPERATING EVENTS

May

- 4 - 5: Society of Wireless Pioneers CW QSO Party
- 6 - 7: Russian Contest (CQM) Vermont QSO Party Georgia QSO Party NY State QSO Party
- 13: Frequency Measuring Test World Telecommunications Day Contest phone
- 13 - 14: Massachusetts QSO Party
- 16: WIAW Qualifying Run
- 20: World Telecommunications Day Contest cw
- 20 - 21: EME Contest (second part) Kansas QSO Party
- 23: WIAW Qualifying Run



Mike and Key Amateur Club
c/o 23206 SE 53rd
Issaquah, WA. 98027

FIRST CLASS