



K7LED RELAY

Seattle, Washington

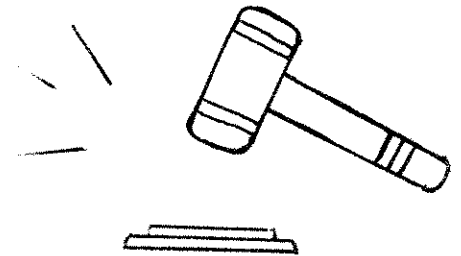
Vol. 5 Number 10

April 1978

The K7LED RELAY is the official publication of the Mike and Key Amateur Radio Club Inc., 23206 SE 53rd, Issaquah, WA. 98027. Articles for publication should be presented to Jane Beatty, 426 NE 156th, Seattle WA., 98155. Deadline is the 25th of each month preceding the date of publication. Articles may be quoted in full or in part without prior permission providing the K7LED RELAY is credited.

CLUB OFFICERS

President	WA7TOM	Dave Grant	631-6836
Vice President	K7PK	Dick Mowry	631-3199
Secretary	WB7DVX	Linda Grant	631-6836
Treasurer	WA7HCP	Jim Long	228-3872
Activities Mng.	WA7NIW	Dick Radford	883-0662
Trustee #1	K7WTG	Pete Hedberg	
Trustee #2	WA7RJW	Chris Holt	
Trustee #3	W7JIE	Gib Gibson	
Trustee #4	K7BNN	Jay Mowry	
Trustee #5	K7CR	Clay Freinwald	
Radio Officer	K7YR	Ken Rau	



THERE'S A HITCH TO IT

With his thumb a hitch-hiker says, "You furnish the gas, car, attend to the repairs and upkeep, supply the insurance and I'll ride with you. But if you have an accident, I'll sue you for damages."

It sounds pretty one-sided, but one wonders how many hitch-hikers there are in organizations and even radio clubs. Many members seem to say, You go to the meetings, serve on the boards and committees, do the paper work, study the issues, contact the officials and take care of things that need doing and I'll go along for the ride. If things don't suit my fancy, I will complain, criticize and probably get out and hitch-hike to another group."

HITCH-HIKER OR DRIVER ----- WHICH KIND ARE YOU???

from Worldradio News

- NOMINATIONS AND ELECTIONS -

April 15th, 10:00 AM General Business Meeting, United Good Neighbor Ctr.

BOARD MEETING 3-18-78

Board members present: Dave WA7TOM, Linda WB7DVX, Dick WA7NIW, Jim WA7HCP, Chris WA7R JW, Clay K7CR, Gib W7JIE, Pete K7WTG.

Visitor members present: Al WA7TIB, Chuck WA7EBH, Jan WA7HWX, Ken K7PZX, Ray WA7EKH, Debi Holt, Rick K7MF

New Business

Chris WA7R JW, made a motion to table the action on N7PK's letter of resignation as Vice President of the club. Seconded by Jim WA7HCP, passed.

Jim WA7HCP reported that treasury has \$2273.58.

Dick WA7NIW reported on banquet- only ten people going so far. Reservation sheet was on the back of last issue of Relay, hurry and send them in.

Jan WA7HWX- women's prizes

Ken K7PZX has awards committee, a meeting Sunday 3-19-78 at Ken K7YR's

Gib W7JIE- men's prizes

Prizes will be special and different this year.

Al WA7TIB Personal Property Report

K7PFR - Ameco, TX&RX, QST library

WA7SLO - Hi Gain 203 BA

WA7TIB - Code machine, tapes

W7GPW - Spaulding tower, trailer

WA7TOM - PA system

K7PP - Hi Gain 14AVX

WA7WKT - Motorola 60 watt base station

K7YR - TR-22 rotors

Al WA7TIB made suggestion that a custodian for the club property be appointed.

Chuck WA7EBH gave Budget Committee & Project Report, a copy of both in the Relay. Summary of the project:

Electronic keyers, cost will be \$20 to the members of the club until 4-22-78. After this date will be \$30. Also \$30 to non-members. The keyer will be taken to the Hamfests by members to represent the club.

Ray WA7EKH reported on the Nominations Committee, a copy to be in Relay.

Jim WA7HCP made motion that a 610 form be sent to the FCC naming K7YR to be the new Trustee of the club call. Seconded Chris WA7R JW, passed.

We need a method of checking membership attendance-

Pete K7WTG made motion to change Section 5 Paragraph B to read "The Vice President shall assume the duties of the President during his or her absence" to include "ex-officio membership in all standing committees and to be responsible for maintenance of the membership records."

Seconded Jim WA7HCP, passed. Pete K7WTG to submit in writing at next meeting

Old Business

Membership applications will have to be revised and submitted at next meeting by Debi Holt.

New Business

Chris WA7R JW made motion that the board accept the money making project proposed by Chuck WA7EBH. Seconded Dick WA7NIW, passed

BOARD MEETING cont.

Pete K7WTG motioned that the chairman appoint a committee to look into further action concerning club call. Seconded Clay K7CR & approved.

Jan WA7HWX submitted to Board changes to by-law:

Section V. Duties of Officers

add- F. President Emeritus

The president Emeritus shall perform the duty of chairman of the Audit and Finance Committee.

Jan Hedberg

M.L. Gibson

Pete Hedberg

Ray Leslie

approved by Ex. Board

David R. Grant

Gib adjourned board.

GENERAL BUSINESS 3-18-78

Welcomes Introductions

Announcements

1. Clay K7CR asked if anyone wanted more Motrams. See him
2. Gib W7JIE made announcements from board meeting
 - A. N7PK has resigned, action tabled until next month
 - B. Radio Officer will be K7YR, action will be taken soon
 - C. Vice President will handle the membership records. Pete K7WTG will submit in writing to change the by-laws. Section 5 Paragraph 5 to state this as under the duties of VP
 - D. Checking is being done to see about club call, whether we will lose it or not

Al WA7TIB made his report on Personal Property as stated in Board minutes. Chuck WA7EBH made his report on the Budget & Finance Committee and money making project. Both are in the Relay. Money project explained in Board minutes.

Chuck WA7EBH made motion that the club take on the money making project. Chris WA7RJW seconded, cancel second, removed, changed to read- Chuck WA7EBH made motion that the club take on the money project at the cost of \$20 per person for club members and \$30 for non-members, one per person at the \$20 cost up to 4-22-78. Seconded Chris WA7RJW, passed.

Skagit Hamfest April 22

starting time 1:00, auction 4:30 PM

door prizes and tickets are \$6. Les WN7NXC, Mary W7QGP, Harry W7JWJ have tickets.

Amateur classes for Advanced and Extra class licenses will start March 29th at North Seattle Community College. Fee is \$35. for details see Harry W7JWJ.

Need pictures of field day for possible TV show. See Gib W7JIE or Les WN7NXC.

Novice classes for the blind begin March 29th at Pacific NW Bell, contact Harry W7JWJ.

GENERAL BUSINESS cont.

Swap fest, April 29th, Spokane fairgrounds, 9 to 9

Spokane Ham fest, Aug. 12 & 13 at EWSU campus, Cheney

Club call went to WA7YCM

Les WN7NXC is planning a ham fair for Mike & Key in July of 1979, more news to come.

Minutes were approved after these corrections:

Special Committees

A. Audit

- | | |
|-----------------|--------------------|
| 1. Al Jensen | 3. Chuck Stroehler |
| 2. Don Rembaugh | 4. Wally Young |

B. Budget & Planning

- | | |
|------------------|--------------------|
| 1. Gene Jacobson | 5. Chris Holt |
| 2. John Becker | 6. Chuck Stroehler |
| 3. Bob Fuji | 7. Sue Needham |
| 4. Jim Long | |

C. Nominating

- | | |
|----------------|------------------|
| 1. Ray Leslie | 5. Pete Hedberg |
| 2. Ken Rau | 6. Kaye Eylander |
| 3. Hal Goodell | 7. Jan Hedberg |
| 4. Jim Strang | |

Membership application-

Vern Nelson W7ZLW congratulations

Treasurer's report- total \$2180.37, total cash assets \$2281.58
raffle \$101.21, bill submitted from Jane Beatty for \$40. for mailing
the paper. Seconded by K7KOT, passed.

April 8th is cut-off date for Banquet, see you there. Dick WA7NIW reported things going smoothly.

Field Day Report- Al WA7TIB called meeting of Chairpersons after this meeting.

Les WN7NXC reported on PSC, Mary W7QGP is now President for 1 year. Club is two years behind in dues, \$5 per year.

Old Business

The rope for Field Day \$12 ft. The Board recommended to buy 2400 ft cost \$202.37 unless price changes. Ray WA7EKG made motion to buy the rope 2400 ft at current available price. Motion was made to bring the tabled motion up to the floor and seconded. Pete K7WTG ammended the tabled motion to read the club should buy 2400 ft of rope. Seconded and passed.

Ray WA7EKG reported on the nominations, published in the Relay

Roster will be out in Relay, thanks to Jerry K7RN

New Business

Jan WA7HWX submitted new changes to the By-Laws, Section 5 to read:

GENERAL BUSINESS cont.

add P. President Emeritus
The President Emeritus shall perform the duty of Chairman of the Audit and Finance Committees.

approved and passed 3-18-78

Jan Hedberg
M. L. Gibson
Pete Hedberg
Ray Leslie

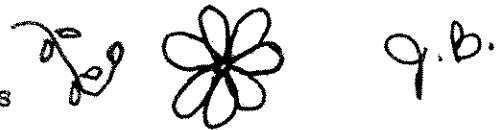
approved by Executive Board
David R. Grant - President
M. L. Gibson - Pres. of Board.

Also submitted were changes for the Constitution to be voted on at the next meeting. Published in Relay.

meeting adjourned

FOR THE LADIES

Chocolate Cherry Bars



$\frac{1}{2}$ (18 oz.) pkg. fudge or
chocolate cake mix, the
kind with pudding is best.
 2 eggs, beaten

$\frac{1}{2}$ (21 oz.) can cherry pie filling
 $\frac{1}{2}$ tsp. almond extract

In a large bowl combine all ingredients. Stir by hand until well mixed. Pour into greased & floured 15x10" jelly roll pan or 9x13" cake pan. Bake at 350° for 20 to 30 minutes or until wooden pick inserted in center comes out clean.

Icing:

$\frac{1}{2}$ c. sugar
 $\frac{1}{3}$ c. milk

$\frac{5}{8}$ Tbl. butter or margarine
 $\frac{1}{2}$ (6 oz.) pkg. chocolate chips,
the chocolate flavored baking chips
work just as well and cost less.

In small saucepan combine sugar, butter and milk. Boil one minute, stirring constantly. Remove from heat and stir in chocolate chips, beating until smooth. Pour over bars. Let set then cut into squares.

JUST A SHORT REMINDER FROM THE PRIZE COMMITTEE!

BANQUET, APRIL 15th. PRIZES TO BE DIFFERENT

AND SPECIAL THIS YEAR. YOU NEED TO WATCH OUT
FOR GIB AND US !!!

Jan Hedberg WA7HWX
Debi Holt



W.S. MAIN WOMEN'S PRIZE WORTH A "TREASURED" \$75.00.

I WONDER WHAT THAT COULD MEAN ????????

ANNOUNCEMENTS

Jim and Gari Long have a new little girl in the family. Born March 28th, her name is Kathleen Diane. Congratulations!

Linda WB7DVX has upgraded to technician.

Ken Rau is our new Radio Officer. He and Linda are also allowing us to use their home address for club business. Congratulations and Thank You.

29 people have made reservations for the Banquet.

ELECTIONS!!! April 15th, 10 AM, General Business Meeting, UGN Center
Board meeting, April 15th, 7:30 AM, Turkey House, Southcenter

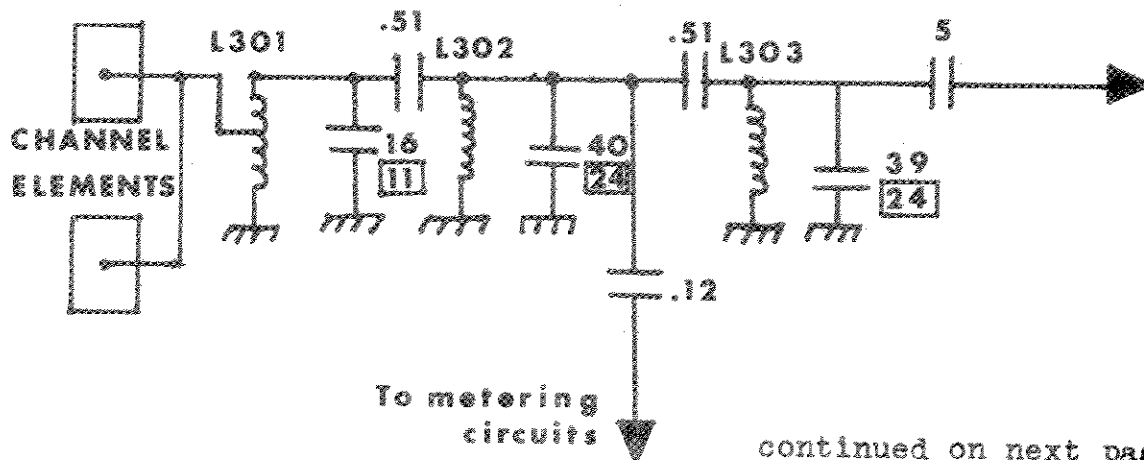
\$ \$ DUES \$ \$

According to the constitution any person not paying their dues within 3 months of the correct time may be dropped from the membership after written notification. The people listed under January are 3 months overdue. GET YOUR DUES PAID UP !!!

<u>JANUARY</u>		<u>FEBRUARY</u>	<u>MARCH</u>
WB7AGS	WA7QFD	WA7BBJ	WA7LWP
WB7ACH	WA7RJW	W7FHZ	WB7NRC
KL7BB	Debi H.		WA7TJT
K7CAI	WA7SLD		
WB7DBZ	K7SRX	<u>APRIL</u>	<u>MAY</u>
W7FOV	WA7TBP		
K7NZU	WA7TQS	K7JA	W7ZSL
WA7OEE	WA7YIG	K7QMI	
WA7OEF	WA7ZLV		

if you are listed above but have already paid your dues, please let the treasurer know at the next meeting.

MOTOROLA X51LLT
low band radios for 6 meters



continued on next page.....

MOTOROLA X51LLT cont.

TO MODIFY MOTRAN RCVR: for 6 mtr operation change the indicated capacitors in the oscillator multiplier board - use silver micas. This is the only required mods to the receiver other than tune-up. DO NOT DIDDLE THE EXTENDER ADJUSTMENTS, without proper test equipment.

THE TRANSMITTER: may or maynot have to be modified - we have no way at this time of determining if this may be required or not. Best method is to tune it up and check pwr out. If it is around 30 watts, you need to make either repairs or mods. If it is 50 watts, no changes required.

CHANNEL ELEMENTS: the channel 1 rptr grp 52.85 - 53.85 is working on a 5 freq. deck & other ideas. International crystal oscillator boards ought to work. Other oscillator boards available from Hamtronics - Dec. 1972 issue of Ham Radio magazine tells how to build them or if money is no problem, order them from Motorola.

CABLES: use Motrac type 2 or Motrac cables. You can use Twin V or T power cables but the wiring will not be the same. Make sure the cables you scrounge have wires 7, 8, 9, 10. Some cables are only single freq. New multi-freq cables are available from Motorola.

SPEAKERS: for mobile operation large bass reflex cabinets are not recommended. Check with Radio Shack for good mobile speakers.

MIKES: any Motorola mike will work. Check plug wiring as your mike plug may not fit these radios.

FREQ. SPREAD: these units are quite narrow - ie - operation on 03 and 85 will not take place without mods to the radio. WA7WKT is working on Xmtr wide banding, WA7TIB the receiver. Look for forthcoming information on this. But right now about 3 or 400 KHZ is the band width.

MORE RADIOS: the Channel 1 rptr grp in Tacoma is the group bringing these into the area and has agreed to bring in another batch (if they are available at that time). We will accept checks made payable to "The Channel One Repeater" for \$56.30. These checks must be in our hands no later than May 24, 1978. The address is: c/o K7HF, 8510 Idlewood Dr., Tacoma, Wa. 98498. Contact me K7CB for more information.

THESE RADIOS DO NOT INCLUDE: cable, speaker, mike, channel element
YOU DO GET: radio and control head

A radio engineer is a person who passes as an exacting expert on the basis of being able to turn out, with prolific fortitude, infinite strings of incomprehensible formulae calculated with micromatic precision from vague assumptions which are based on debatable figures taken from inconclusive experiments carried out with instruments of problematical accuracy by persons of doubtful reliability and questionable mentality for the avowed purpose of annoying and confounding a hopeless group of esoteric fanatics referred to altogether too frequently as PRACTICAL RADIOMEN.

guess who?

8.

BUDGET STATEMENT
1978 Mike & Key Club

A. Income 110 members @ \$8.00	\$880.00
Auction - variable (1977)	<u>320.00</u>
Total -----	\$1200.00/year
B. Pay out	
Banquet \$550 (100 raffle 450 treas.)	\$450.00
Picnic \$50	50.00
Xmas party \$150	150.00
News paper	250.00
Misc. expenses (sec., tickets.etc.)	50.00
Field Day (gas, oil, ferry fares, etc.)	<u>50.00</u>
	\$1000.00
Good Neighbor Center	<u>200.00</u>
Total yearly -----	\$1200.00
C. Project Costs	
Field Day (rope & anchors)	\$300.00
Offset Press	<u>250.00</u>
Total Projects -----	\$550.00
1978 Total Yearly Expenses B & C	\$1550.00
Total Income	<u>1200.00</u>
Net Loss -----	\$ 350.00

MONEY PROJECT

70 keyers at \$15.00 = cost to club = \$1050.00

VARIABLE

cost to club members = \$20.00 until 4-22-78

cost to non-members = \$30.00

all keyers to non-members	net profit	\$1050.00
---------------------------	------------	-----------

all keyers to club members	net profit	350.00
----------------------------	------------	--------

20 keyers to club - 50 to non-members	850.00
---------------------------------------	--------

30 keyers to club - 40 to non-members	750.00
---------------------------------------	--------

40 keyers to club - 30 to non-members	650.00
---------------------------------------	--------

50 keyers to club - 20 to non-members	550.00
---------------------------------------	--------

60 keyers to club - 10 to non-members	<u>450.00</u>
---------------------------------------	---------------

Maximum Profit \$1050.00

Minimum Profit \$350.00

1. Proposal offered at club meeting, 3-18-78 & 4-15-78. All members wanting them must have money by 4-15-78
2. After 4-22-78 cost to all persons is \$30.00
3. Limited amount at all Hamfests (10, 15, etc.)

The weaker sex is really stronger due to the weakness of the stronger sex for the weaker.

TO BE VOTED ON

All of the following were signed by the required number of people.

Amendment to Constitution - Article IV - Officers

- * Add: President Emeritus.
Entire sentence to read: The officers of this Club shall be a President, a Vice-President, a Secretary, a Treasurer, Activities Manager, and President Emeritus.
- * Add: and a voting member of the Executive Board.
Entire sentence to read: The immediate Past President shall become President Emeritus and a voting member of the Executive Board.

Amendment to Constitution - Article VI - Executive Board

- * Change: Five officers to six officers.
Entire sentence to read: The five trustees and the six officers shall serve as the Executive board and there must be a majority present at any board meeting to conduct official business.

Change to By-Law - Section V - Duties of Officers

- * Add: F. President Emeritus.
Entire sentence to read: The President Emeritus shall perform the duty of Chairman of the Audit and Finance Committee.

I have noticed that some of our members have been absent from numerous of our business meetings. Would like to see all of you attend our April 15th meeting, as it is our annual election. Just to name a few: Bill Baker, Beverly and John Banes, Pat Carson, Chris Christine, Ralph Cornell, George Dodge, Al and Bette Free, Ron Henderson, John Smart, and Steve and Linda Tillet. It has been a long time since the club has had a chance to have an eye-ball. See ya if you can???

Jan Hedberg WA7HWX

Crime does not pay....it just allows you to keep up with the cost of living.

1978 AWARDS BANQUET

The seventh annual Mike and Key Amateur Club Banquet will be held at the EDGEWATER INN, 2411 Alaskan Way, Seattle on Saturday, April 15. Semi-formal attire is requested.

COCKTAILS 6:00 - 7:00
BUFFET DINNER 7:00 - 8:30
AWARDS PROGRAM 8:30

Dinner will be served promptly at 7:00.

MENU

Salad Bar

Roast Baron of Beef

Broiled Fillet of Salmon

Potatoes Au Gratin

Vegetable

Dessert

Coffee / Tea

Following the Program the drawing for Door Prizes will be held.

Pre-recorded music will be provided for your listening and dancing enjoyment after the drawings.

Send reservations and monies to Jim Long WA7HCP, by Saturday, April 8. Make checks payable to MIKE AND KEY AMATEUR CLUB.

I would like to make reservations for _____ persons.
I am enclosing \$ _____ at the rate of \$12.00 per
member of my party. (not including drinks)

MIKE AND KEY AMATEUR CLUB
Jim Long WA7HCP, Treasurer
1061 Lynnwood NE
Renton, Wa. 98055

signature

call

K7LED - MIKE AND KEY RADIO CLUB ROSTER - MAR 17, 1978

PAGE 1

AESCHLIMAN, JAMES	15762 118TH PL SE	RENTON	98055	228-1876	WB7AHD	A
ANDERSON, ROBERT	15766 118TH PL SE	RENTON	98055	226-2583	W7WJM	A
BAKER, BILL	4622 FENWICH CT	KENT	98031	854-1857	K7LHY	G
BAKER, OWEN	3855 33RD SE	SEATTLE	98126	938-3836	WA7QFD	G
BALZARINI, BILL	1518 PEARL ST	SEATTLE	98108	762-7738	KL7BB	E
BANES, BEVERLY	1117 212TH AVE NE	REDMOND	98052	885-6484	WB7ACS	T
BANES, JOHN	1117 212TH AVE NE	REDMOND	98052	885-6484	WA7YIG	A
BEATTY, JANE	426 NE 156TH	SEATTLE	98155	364-1564		
BEATTY, RICK	426 NE 156TH	SEATTLE	98155	364-1564	WB7DTI	A
BECKER, DIANA	21112 NE 60TH PL	REDMOND	98052	885-1941		
BECKER, JOHN	21112 NE 60TH PL	REDMOND	98052	885-1941	K7PFR	G
BERCK, DEBBIE	2119 NE LIBERTY ST	PORTLAND	97211	283-5065	WB7SET	N
BERCK, MICHAEL	2119 NE LIBERTY ST	PORTLAND	97211	283-5065	WA7OMP	A
BROWN, ETHEL	2200 SW BATON APT 411	SEATTLE	98126	-		
BRUSH, ARCHIE	22516 30TH AVE S	SEATTLE	98117	878-2823	WA7EJY	T
BUTLER, CARL	16831 40TH S	SEATTLE	98188	242-6297	W7PRW	G
CARPENTER, JIM	2125 ELM SE	AUBURN	98002	-	K7PHZ	T
CARSON, PAT	9045 NE 137TH	KIRKLAND	98033	828-4298	WA7MSD	G
CHRISTIANSEN, JIM	22105 7TH PL W	BOTHELL	98011	485-2017	K7ND	E
CHRISTINE, CHRIS	18425 NE 95TH #59	REDMOND	98052	883-3945	WA7TJT	T
CORNELL, RALPH	21211 4TH AVE S	SEATTLE	98148	878-8119	WA7GHZ	T
COWLES, MARVIN	3040 18TH SE	AUBURN	98002	833-6383	K7ZEF	A
CRAIG, JEAN	3006 S FERDINAND	SEATTLE	98108	723-8076		
CRAIG, MAX	3006 S FERDINAND	SEATTLE	98108	723-8076	WB7QHO	T
CROSS, MICHAEL	5803 SW HANFORD	SEATTLE	98116	935-2688	WB7AYU	T
DAVIS, LARRY	RT 1 BOX 1593	SPANAWAY	98387	531-3019	WB7AEH	A
DIETSCH, RICHARD	16807 NE 89TH	REDMOND	98052	885-6559	W7KCX	A
DODGE, GEORGE	13701 115TH AVE NE	KIRKLAND	98033	822-6908	W7GOB	G
DUCHESNEAU, B E	151 MONTEREY DR NE	RENTON	98055	255-0583	N7DU	E
DUCHESNEAU, DAVID	151 MONTEREY DR NE	RENTON	98055	255-0583	WB7FEF	T
EYLANDER, KAYE	28832 190TH SE	KENT	98031	631-7751	WB7VFH	N
EYLANDER, RICHARD	28832 190TH SE	KENT	98031	631-7751	WB7BOR	A
FARRELL, DALE	17905 NE 160TH	WOODINVILLE	98072	486-2472	K7MPZ	G
FREE, AL	14215 NE 75TH	REDMOND	98052	885-5742	WA7LWP	T
FREINWALD, CLAY	8515 IDLEWOOD DR SW	TACOMA	98498	584-2988	K7CR	E
FUJII, ROBERT	12715 SE 65TH	BELLEVUE	98006	747-6461	W7OTO	A
GIBSON, M. L.	1215 N 28TH PL	RENTON	98055	226-4222	W7JIE	E
GOODELL, HAL	35916 11TH SW	FEDERAL WAY	98003	927-7603	N7NW	E
GRANT, DAVE	14047 SE 201ST	KENT	98031	631-6836	WA7TOM	A
GRANT, LINDA	14047 SE 201ST	KENT	98031	631-6836	WB7DUX	T
GRAZIER, CHUCK	13210 231ST SE	ISSAQUAH	98027	392-3764	WA7RJT	A
HAWORTH, JOHN	2015 NE 113TH	SEATTLE	98125	362-2015	K7SRX	A
HEDBERG, JAN	20904 NE 77TH	REDMOND	98052	883-8535	WA7HWX	T
HEDBERG, PETE	20904 NE 77TH	REDMOND	98052	883-8535	K7WTG	G
HENDERSON, RON	1640 GRIFFIN	ENUMCLAW	98022	825-1578	WA7OEE	A

K7LED - MIKE AND KEY RADIO CLUB ROSTER - MAR 17, 1978

PAGE 2

HOGGARD, JIM	2303 N 190TH	SEATTLE	98133	365-0649	K7MBY	G
HOLT, CHRIS	6008 230TH SW	MT LK TERR	98073	778-6904	WA7RJW	T
HOLT, DEBI	6008 230TH SW	MT LK TERR.	98043	778-6904		
HOUGH, CHARLIE	1800 S 255TH PL	KENT	98031	839-2999	WA7ZLV	A
HOWARD, BRUCE	5032 21ST AVE NE	SEATTLE	98105	523-4869	WB7NRC	A
IVERSON, WILLIAM	11840 SE 288TH	KENT	98031	631-1223	WA7HUL	A
JACKSON, KEN	22707 30TH AVE SO	SEATTLE	98188	824-7388	K7PZX	G
JACOBSEN, GENE	7334 126TH AVE NE	KIRKLAND	98033	822-3931	WA7TAI	A
JACOBS, RICHARD	143 NE 156TH	SEATTLE	98155	363-4169	WN7NXC	A
JENSEN, AL	19111 1ST AVE NW	SEATTLE	98177	542-6052	WA7TIB	T
KLINGA, JIM	PO BOX 632	REDMOND	98052	-	WA7CRQ	G
KRANZ, CHUCK	1139-C REED AVE	SUNNYVALE	94086	-	WA7OEF	A
KRYSZEK, JERRY	4522 BROOKLYN AVE NE #8	SEATTLE	98105	632-2585	K7RN	E
LESLIE, RAY	13517 117TH NE	KIRKLAND	98033	822-4248	WA7EKH	T
LEWIS, GARY	7726 24TH NE	SEATTLE	98115	522-7328	WA7BBJ	A
LEWIS, HARRY	10352 SANDPOINT WAY NE	SEATTLE	98125	523-9117	W7JWJ	E
LEWIS, MARY	10352 SANDPOINT WAY NE	SEATTLE	98125	523-9117	W7QGP	G
LIM, DENNY	6302 MERIDIAN AVE N	SEATTLE	98103	523-9448	WA7TQS	T
LONG, JIM	1061 LYNNWOOD NE	RENTON	98055	228-3872	WA7HCP	A
LOSEY, ROBERT JR	808 SW 4TH PL	RENTON	98055	255-7536	WA7VEB	G
LUNDSTROM, DICK	34022 43RD S	AUBURN	98002	838-9559	WA7UEW	T
LUTGEN, CLIFF	4406 S 146TH	SEATTLE	98168	242-4379	K7SOA	G
LYNCH, AL	24201 ROBERTS DR	BLK DIAMOND	98010	886-2690	W7FOV	A
MARCINKO, JON	1401 S 276TH PL	KENT	98031	839-7688	W7FHZ	A
MARGELLI, CHIP	2806 N UNION	TACOMA	98407	752-3472	K7JA	E
MILLER, DON	2712 N ALPINE DR SE	AUBURN	98002	833-4693	WA7FIC	G
MOWREY, JAY	677 OPPELT RD	CHEHALIS	98532	262-3666	K7BNN	E
MOWREY, VICKIE	677 OPPELT RD	CHEHALIS	98532	262-3666	WB7ELG	T
MOWRY, MILDRED	17637 SE 291ST	KENT	98031	631-3199	K7QHG	G
MOWRY, RICHARD	17637 SE 291ST	KENT	98031	631-3199	N7PK	E
MUNYON, DAVID	18754 130TH SE	RENTON	98055	854-3717	W7DVB	A
NEEDHAM, SUE	1020 212TH AVE NE	REDMOND	98052	883-2775	WB7DBZ	T
NEEDHAM, TOM	1020 212TH AVE NE	REDMOND	98052	883-2775	WA7TBP	A
NELSON, VERN	16812 NE 107TH	REDMOND	98052	885-0473	W7ZLW	G
ORR, ROBERT	13252 NE 47TH	BELLEVUE	98005	885-4357	WB7AZU	A
OSWALD, M D OZZIE	10109 162ND PL NE	REDMOND	98052	827-6952	K7CAI	G
PARRIS, HAL	3405 S 176 #128	SEATTLE	98188	244-0641	WB7EMS	G
PATJENS, JANET	1015 W WICKERSON #223	SEATTLE	98119	282-3226	WA7WNB	A
PATTON, RONALD	16801 155TH PL SE	RENTON	98055	228-0893	WB7AFX	G
PELZEL, JANE	7814 79TH AVE SE	MERCER ISL	98040	232-8725	WB7PFJ	G
POLICANI, KARON	750 S 317TH	FEDERAL WAY	98003	-	WA7WVJ	T
POLICANI, PETE	750 S 317TH	FEDERAL WAY	98003	-	K7PP	E
RADFORD, DICK	3003 169TH AVE NE	BELLEVUE	98008	883-0662	WA7HIW	T

K7LED - MIKE AND KEY RADIO CLUB ROSTER - MAR 17, 1978

PAGE 3

RAMBO, LEW	11605 NE 150TH PL	BOTHELL	98011	485-2188	WA7ELI	T
RAMUS, THOMAS	8722 17TH AVE NW	SEATTLE	98117	784-9243	WB7OUT	T
RAU, KEN	23206 SE 53RD	ISSAQUAH	98027	392-7954	K7YR	E
REHNSTROM, JOHN	9621 9TH NW	SEATTLE	98107	783-2489	WA7HGG	T
REMBAUGH, DON	323 NE 152NE	SEATTLE	98155	362-9189	WA7KBK	G
REMLINGTON, FRANK	4246 S 166TH	SEATTLE	98188	246-5865	K7GSE	G
RULIFSON, BOB	14232 SE 23	BELLEVUE	98007	746-5192	WB7DGT	G
RUTLEDGE, JOE	1615 N 43RD	SEATTLE	98103	525-1656	WB4ESE	A
SAVAGE, MYRON	16303 MAPLEWILD AVE SE	SEATTLE	98166	246-5636	W7GSG	G
SCHAAK, RICK	RT 1 BOX 114	VAUGHN	98394	884-2454	K7HF	E
SCHNEEBECK, TIM	4522 BROOKLYN AVE NE	SEATTLE	98105	634-0628	K7QMI	T
SCHUCK, LYNN J	4230 83RD AV SE	MERCER IS	98040	232-8789	W7DSB	E
SHIRREL, DENNIS	213 W 232 PL	CARSON	90745	-	K7DCG	G
SKALSKI, STEVE	PO BOX 287	ISSAQUAH	98027	392-6121	N7OH	E
SKOOG, ARNE	30617 2ND AVE SW	FEDERAL WAY	98003	839-2501	WA7WKT	T
SMART, JOHN	18117 1ST NW	SEATTLE	98177	542-3389	WA7SLO	A
SMITH, ELMO	4716 S FINDLEY	SEATTLE	98188	723-4484	WA7YCH	A
STRANG, JIM	23252 SE 54TH	ISSAQUAH	98027	392-5554	W7GPW	A
STROEHER, CHUCK	13614 SE 43RD	BELLEVUE	98006	746-4122	WA7EBH	A
SUTTON, JIMMY	3516 SW 343RD	FEDERAL WAY	98003	927-8581	WA7LNG	A
TAKACS, ALEX	142 NE 156TH	SEATTLE	98155	364-8692	WB7NXI	G
TERRINK, DAVE	14418 158 PL SE	RENTON	98055	255-5313	K7NZU	A
TILLET, STEVE	1642 BROWNS POINT	TACOMA	98422	927-5456	K7KOT	A
TIMBLIN, TIM	8510 IDLEWOOD DR SW	TACOMA	98498	582-4577	K7HF	E
WILLIAMS, JERRY	4104 85TH AVE SE	MERCER IS	98040	232-1803	W7WS	E
WILLOUGHBY, CRAIG	29006 34TH S	AUBURN	98002	839-1076		
WINTER, NICK	819 N MULLEN	TACOMA	98406	759-9857	WA7IVO	A
YOUNG, WALLACE	8620 217TH ST SW	EDMONDS	98020	774-4762	W7ZSL	A

Additions, deletions or changes, please contact Jan Hedberg WA7HWX or Jerry Kryszek
K7RN

MIKE AND KEY AMATEUR RADIO CLUB
OFFICER NOMINATION 1978

PRESIDENT:

GIB GIBSON
DAVE GRANT

TRUSTEE No. 1:

FRANK REMINGTON
PETE HEDBERG
RAY LESLIE

VICE PRESIDENT:

CHUCK GRAZIER
JOHN BECKER
JIM STRANG

TRUSTEE No. 2:

DAVE GRANT
JOHN REHNSTROM
JOHN BECKER

SECRETARY:

JANE BEATTY
KAY EYLANDER
JAN HEDBERG

TRUSTEE No. :

TREASURER:

CHUCK STROEHER
JIM AESCHLIMAN

NOTES:

ACTIVITY:

RICK BEATTY
DALE FARRELL
GENE JACOBSON

ONE INDIVIDUAL FOR EACH OF THE ABOVE POSITIONS WILL BE ELECTED ON APRIL 15
WE WOULD LIKE TO SEE A LARGE TURN OUT - VOTE FOR THE CANDIDATE OF YOUR CHOICE
TO AID IN KEEPING TRACK OF THE CANDIDATES, PLEASE BRING THIS PAPER WITH YOU

APRIL

- 8 - 9...."Open" CD Party cw, Swiss Contest (H-22)
9.....International Gagarin Cup Competition
12 - 13..DX/YL to Stateside YL Contest cw
14.....W1AW Qualifying Run
15 - 16.."Open" CD Party phone, SP DX Contest phone,
EME Contest (first part)
22 - 23..Zero District QSO Party, Bermuda Contest,
County Hunters
26 - 27..DX/YL to Stateside YL Contest phone
29 - 30..Dutch Contest (PACC)
30.....W1AW Qualifying Run



MAY

- 3.....West Coast Qualifying Run
6 - 7....Russian Contest (CQM), Vermont QSO Party, Georgia QSO Party

Mike and Key Amateur Club
c/o 23206 SE 53rd
Issaquah, WA. 98027

FIRST CLASS