

K7LED°RELAY



VOL. 4 NR. 8

DEC 1976

CLUB OFFICERS

President.....WA7WMC.....Clay Freinwald
Vice-President.....WA7TOM.....Dave Grant
Secretary.....WA7WMD.....Kathy Freinwald
Treasurer.....WA7TIB.....Al Jensen
Activities Manager.....W7JIE.....Gib Gibson
Radio Officer.....K7IPQ.....Pete Policani

TRUSTEES

Ken Rau, K7YRQ Ken Jackson, K7PZX Jim Strang, W7GPW
Pete Hedberg, K7WTG Chris Holt, WA7RJW

The K7LED Relay is the official publication of the Mike and Key Amateur Radio Club, Inc., 750 South 317th, Federal Way, Wa. 98003. Articles for publication should be addressed to Karon Policani, 750 South 317th, Federal Way, Wa. 98003. Deadline is the 20th of the month preceding date of publication. Articles may be quoted fully or in part without prior permission provided the K7LED RELAY is credited.

HAPPY BIRTHDAY!!!!

| | |
|-------------------------------------|----------------------------------|
| 6 December - Dick Dietsch W7KCK | 21 December - Bob Anderson W7WJM |
| 11 December - Chris Holt WA7RJW | 21 December - Bill Baker K7LHY |
| 11 December - Pat Carson WA7MSD | 22 December - Carl Butler W7FRW |
| 13 December - Tom Needham WA7TBP | 25 December - Jan Hedberg WA7HWX |
| 21 December - Frank Remington K7GSE | |

BOARD MEETING October 16, 1976

Meeting was called to order by Vice President Dave Grant. Board members not present were Ken K7PZX, Clay WA7WMC and Kathy WA7WMD, with the Freinwalds arriving late.

Myron Savage W7GSC presented to the Board the possibility of setting up special classes in electronics and amateur radio for the Phoenix Assoc. for gifted children at Highline Community College after school hours. This would include 16 one-hour sessions on a schedule that has already been set up. Ken Rau motioned that Myron present his information to the General Business Meeting, asking for volunteers. Motion passed. Gib had several inquiries from persons wanting information about amateur radio. Ken Rau motioned that these names be presented to individuals for followup with an introduction to amateur radio. Motion passed. Debi Holt would like input on facilities for the annual banquet.

Membership applications submitted by Bob Molloy, Joan Molloy, Jane Beatty, Ernie Opel, Richard Dietsch and Michael Neumoff were approved for presentation to the membership.

A report on the auction was made. There was no Convention report. Jan Hedberg wants recipes. Cutoff date for the Cookbook will be December 31. CD Bulletin concerning Field Day was read. ARRL would like FD sites to be more available to the public.

Motion was made to appoint a committee to review the Activities Manager's portion of the Constitution. Motion was amended to include review of the entire constitution. Amendment and original motion were passed.

Meeting was adjourned at 9:35 AM.

APPROVED: 11/20/1976

GENERAL BUSINESS MEETING October 16, 1976

Meeting was called to order by Clay Freinwald, President.

Announcements: WB calls are being issued for novices. Les reported that the C Q DX program has been outlined. 6 meter net would like more checkins.

Minutes of September Board meeting were approved as read. Minutes of September General Business Meeting were approved as corrected.

Treasurers report: received \$50 from K7BNN for YL prizes at Banquet. Auction netted \$51.50 after expenses of \$135.36. Raffle fund balance is \$117.50. Total cash assets are \$762.43.

Gib reported on activities. Christmas party in Dec. 4. Ken Jackson is chairman. Banquet in April 16 with Debi Holt in charge. Auction report was made with discussion as to why it was not a great financial success. Cirque Theatre trip in Jan. 16 and Sue Needham needs minimum of 25 reservations. K7LED went to WB7CBL for this month.

GENERAL BUSINESS MEETING (continued)

Applications for membership were voted on for Ernie Opel W7YTE, Jane Beatty, Michael Naumoff K7LYK, and Bob Molloy. All were approved.

75 mtr net on Sundays, 10 AM, 3930 averaging 15 checkins and has swap and shop following. 6 mtr net on Tuesdays 7:30 PM, WR7ABP 52.7 in-53.16 out. There is a repeater in Spokane on 147.8.-147.21 with autopatch. Coffee and donut fund is holding its own. Elmo reported membership committee is contacting new hams in our area. Jan reported cutoff date for input to the cookbook will be December 31 - she needs at least 200 more recipes. Christmas party committee needs more help. Barb Skeeg is in charge of decorations and the Grants are taking care of the food.

Myron Savage W7QSG reported that November 8 a program will be starting at Highline Community College for children of Phoenix Club. These children are gifted and the Phoenix Club would like amateurs to teach all or part of the 16 scheduled sessions.

Gib gave 10 names and addresses to club members of persons interested in amateur radio and would like a report at the November meeting.

Motion passed to adjour at 12:10 PM.

APPROVED: 11/20/1976

PRESIDENTS CORNER

On January 22 we will have a meeting at the meeting place to discuss F.D. 1977. We have several questions to be resolved at this meeting and if you are interested in F.D. be sure and be there.

Several things were and can be learned from last year's operation - our club did extremely well finishing 2nd in 6-A class nationwide - and about 1000 contacts more than W7DK who were in 7-A - we should be proud. We were a couple of hundred contacts behind the first place club in our class - and I'm sure that all are aware of what it would take to be number 1.

Year before last, the W7DX Club won F.D. nationwide operating 7-A, and due to this we found a lack of stations with high scores in this class this year. In fact, the 6-A scores were about 1000 contacts ahead of the 7-A scores, but W7DX operated 11 transmitters this year, so where does this leave us?

This year we had 10 transmitters set up and operated the most productive 6 - the only way to operate 6-A - one problem - our club has grown over the years and many people and stations did not operate at all - based on all this my vote is that we consider operation in 7-A in 1977, giving us one more full time station - and do it just the way we did last year - set up 10 and operate 7 instead of 6 fulltime.

A couple of points for F.D. 77 - 1) Better separation and antennas for the novice station.

2) Better antennas for 75 phone - this band should pull 500 minimum.

3) Advance scheduling for operators for all bands - the 2 on, 4 off worked well on 20 phone.

PRESIDENT'S CORNER (continued)

- 4) Develop 2-person teams - 1 dupex and 1 operator - each team developing their most effective use of time, etc.
- 5) 10 stations - 4 operators and 4 dupers each equals 80 people minimum operating. This is possible, based even on last year.
- 6) All those interested in contest should operate as many contests thru out the year as possible to keep their proficiency up and add to their skills.
- 7) Search for and develop more CW operation. The ARRL and CAC have officially made permanent the 2-point for CW rule and F.D. can be won or lost on CW.

There are many more facets of PD than these - we need to polish all of them. Lets all give 150% and come to the meeting on January 22 - mark your calendar now - see you there - es Merry Christmas from Kathy and I to you and yours --

Clay Freinwald, WA7WMC

SHORT BURSTS

It seems that one of our former Secretaries, Jan Hedberg, WA7HEX, is a Christmas baby...better buy twice, per usual, Pete, or else talk her into celebrating 6 months later each year. How do candles look stuck in the turkey, Jan? or is it the pumpkin pie?

WA7WMB, -O, -D, WA7TOM and WB7DVX worked SS from -WMC and had a good time, Dave injured his thumb tho.

Glad to hear the Doc said Arne was not expecting...anything except a sore shoulder.

We are all looking forward to seeing Steve dancing with the broom (and all the girls) again Saturday night. Hope to see you all there. Drive carefully and lets keep the club in one piece, especially over the holiday season. Jim W7GLS is still shaking in his boots after having that car come sliding down the gaurd rail upside down towards him Thanksgiving day.

SWAP AND SHOP:

For Sale: SB301 Heathkit - clean and works great - \$225 - contact Kathy WA7WMD.

A MATH LESSON (Swiped, ala Gib, from RW Computer Club Newsletter)

It was said that Noah told the animals in his ark to multiply. Two snakes refused because they were "Adders." Noah, not to be denied, placed the snakes on a rough wooden table made from tree trunks (aren't all wooden tables? Ed. note). "Now" said Noah--"I want you to multiply." And the snakes did so because as we all know, adders can multiply using a log table.

PUGET SOUND COUNCIL MEETING 10-22-1976

Meeting called to order by Tom Gohn WA7FKM. Roll call and reading of minutes.

Bill WA7MWC stated that Amateur Radio Supply will give the last page of their December flyer to the Convention.

It was announced that as of November 26 Mobile and Portable will not have to be used unless you are not a US citizen.

1 x 2 call signs will be issued starting November 1 with N and X prefixes.

President and Vice President offices are open as per the PSC Constitution. Elections will be held at the next Business Meeting December 3rd at the Boeing Bears Meeting place.

Capitol Repeater will have 2 inputs 52.03 Mh and 52.525 Mh. Output will stay on 53.03 Mh.

West Seattle Club stated that any ARC can donate league publications to their local library. The ARC can get the publications for 1/2 price or the whole bunch for \$25 for this purpose.

Boeing Bears have 80 people in Amateur Radio classes.

Mount Baker Club presented the Bellingham Library with all the League Publications.

Northwest Computer Club is meeting on the 1st and 3rd Wednesday of each month at the Pacific Science Center at 1900 hours.

Lew Rambo, WA7ELI

As you know, M & K is compiling recipes for a cookbook. We've found a publisher who does a fantastic job. We need 150 people to submit recipes. Although this is basically our project, you don't have to be a member of the club to submit your recipes - other clubs are invited to contribute and will be credited. A portion of the proceeds will benefit the 1977 ARRL NW Division Convention women's activities with the rest going to M & K activities for women (Banquet prizes, etc.)

Please send your legible, edible recipes with your name, call (if you have one) and address to: Jan Hedberg, WA7HWX, 20904 N.E. 77th, Redmond, 98052.

SHORT BURSTS: It seems one of our latest applicants, Bob, W7OTO, is an avid bowler as well as a Dxer. I hear his wife makes exceedingly good sweet and sour pork.

Gib and Zoe volunteered their services to the recent Channel 9 auction, another worthwhile cause. Karon contributed money to the auction in the form of the purchase of a smoke detector - Pete's still trying to figure out how that worked. Linda G., Debi H. and Karon P. have recently taken up macrame - any joiners, or better yet, instructors? That's knotty.

ACTIVITIES CALENDAR -- Dates of Interest to YOU & YOU & YOU!

December 4 (Saturday)

The annual Mike and Key Christmas party. Food, fun, dancing --the works. HAM, ice, utensils will be furnished. \$4 per each, plus a potluck dish. Contact WB7AYU for reservations and WA7TOM for food coordination.

December 18 (Saturday)

7:30 AM Board Meeting and breakfast (your expense) at the Turkey Inn at Southcenter. Regular Business Meeting starts at 10:00 AM at the United Good Neighbor Center.

January 8 (Saturday)

Guided tour of the United States Coast Guard Vessel Traffic System and a tour of the USCG Icebreaker Polar Star. Two tours for the price of one. Will split the tourists into two groups and visit each installation, then rotate to the other tour. Should be interesting. 10:00 AM USCG Pier 36, Seattle waterfront. Lots of stairs to climb.

January 16 (Sunday)

An evening to remember. Cirque Dinner Theatre engagement. Bob Crane starring in Beginners Luck, a comedy and dinner \$10.50 per person. See Sue Needham, Les Jacobs or Dave Grant -- or call them for tickets. We only have 50 tickets. Dinner and Theatre, that is a bargain!

April 1977

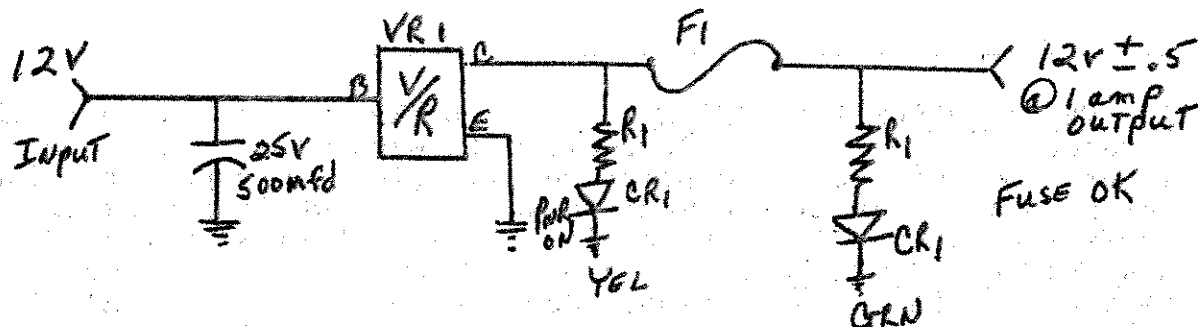
Annual Banquet at the Edgewater Inn. Debi Holt is chairing this event and wants input and volunteers. Menu is in planning stages and this should be a good one. More to follow, of course, in a later edition of the Relay.

1977 -- ALL YEAR. Many more activities TBA later in the Relay.
QRX, QST. QBN?

PeeEss: Note - no social dinner during December on accounta tis the Season to be Jollie & besides, there's too much going on. OK?
73, Gib, W7JIE

Each year, Mike and Key members are invited to participate in Operation Santa Talk. Al Free, WA7LWP, originated this very rewarding activity within our club and thanks to his endeavors this will continue this year. Al, our hats off to you for recognizing the need and promoting and encouraging the continuation of this worthwhile cause. The calendar is as follows:
Friday, Dec. 10 7PM Valley General Hosp. K7PFR 146.58 Simplex
Tuesday, Dec. 14 7PM Providence Hosp./Everett WA7ZSA 146.31/146.32
Wednesday, Dec. 15 7PM Group Health Hospital WA7NIW 146.58 Simplex
Thursday, Dec. 16 7PM Mary Bridge Hospital K7IPQ 52.7/53.16
Friday, Dec. 17 Fred Hutchinson Cancer Ctr. WA7EBH 146.28/146.88
Saturday, Dec. 18 2PM Children's Ortho. Hosp. WA7LWP 147.81/147.21
Tuesday, Dec. 21 7PM Harborview Ped. Clinic K7YRQ 52.7/53.16

VOLTAGE REGULATED POWER SUPPLY FOR USING WILSON H/T'S MOBILE



VR1 #276-1771 Radio Shack
 CR1 LEDs of your choice. NOTE: Should be 10ma type.
 R1 Selected to bias LEDs to correct current to fire.

NOTE: I mounted a subminiature jack on the side of the Wilson H/T so that batteries disconnected.

Rick Beatty, WB7DTI
 Phone: 364-1564

SHORT BURSTS: Rick WB7DTI would like to see a bunch of you all on 15 meters in the near future - talk to him. Jimmy Sutton works better than a doggy bag in a restaurant if you have any leftovers...congratulations on your recent anniversary WA7LNQ and Patti.

How many beer bottles did you empty and cut before you finally had enough for the Christmas party centerpieces Arne and Barb? They sure look nice, too bad a bunch of you elected not to attend and won't be seeing them, especially after all that work. If you aren't attending because you don't like the location, find another location or two and submit it to the club for consideration for next year...that's one of the reasons I've heard so far for lack of attendance.

Mike, have you recuperated from your recent fender-bender yet? That's a rough way to go about getting a new car. Jane knows all about that tho. Come on, lets not have any more accidents, especially with the weather turning rotten and roads getting slick.

I understand Santa Claus is keeping close tabs on a whole bunch of people this year because he's heard rumors that we haven't all been as good as we could have been - he won't be putting coal in your stocking tho because that is fast becoming a valuable commodity. Milly, did you find the volume control on your radio yet? Hope you do in time for our stint with Marv

SWAP AND SHOP

Heathkit SB101 Transceiver with CW filter, Power Supply and Speaker; SB640 remote VFO; SB500 2 meter transverter, mike and SWR bridge --- \$500 For the package. Pete Hedberg, K7WTG
Phone: 883-8535

Would anyone care to trade a 6 mtr Gonset Comm. for a 2 mtr. Gonset Comm? Carl Butler, W7PRW, 242-6297

TEN-TEC ARGONAUT TRANSCEIVER: This FB QRPP rig is CW, USB, LSB, 5 bands, 5 watts. Comes complete with manual, AC-5 antenna tuner, and the model 250 power supply. (The 250 supply provides for a 100W linear if you want to add one.) Whole system in perfect condition & ready to hit the air. A steal at: \$200

HEATHKIT DX-60 TRANSMITTER: A professionally wired 90-watt AM & CW rig in perfect shape. Comes complete with manual, 4 40-M crystals and a mike plug. Take it for: \$50

RME VHF 152-A CONVERTER: This 10, 6 and 2 Meter converter has been upgraded with an Ameco preamp for low noise. Then coax fittings have been added for all input and outputs. Converts to 40 Meter band and complete with manual. Perfect shape \$40

PANADAPTOR PCA-2: SEE what you hear with this 455 KHz IF input unit. Find the holes in the QRM and snatch DX. With manual and ready to go. Fine shape: \$35
Call Gib, W7JIE evenings 226-4222

SHORT BURSTS: Dave, WA7TOM, got 50 feet of tower up with a TH6 and pair of 11's. Rick K7LED/WB7DTI, Ken K7PZX, Hal W7DNU, Mark WB7DEA, Ken K7YRQ and Chris WA7RJW helped make up the work party. Fun was had by all. Ken, didn't you forget to take down the antenna clamp?
The best substitute for experience is being under 20 years old.

VE7AZT/7 survived Thanksgiving - now he has only Christmas and New years to dodge, although New Years is more traditionally a HAM day. Lots of contests coming up, contest chairman.

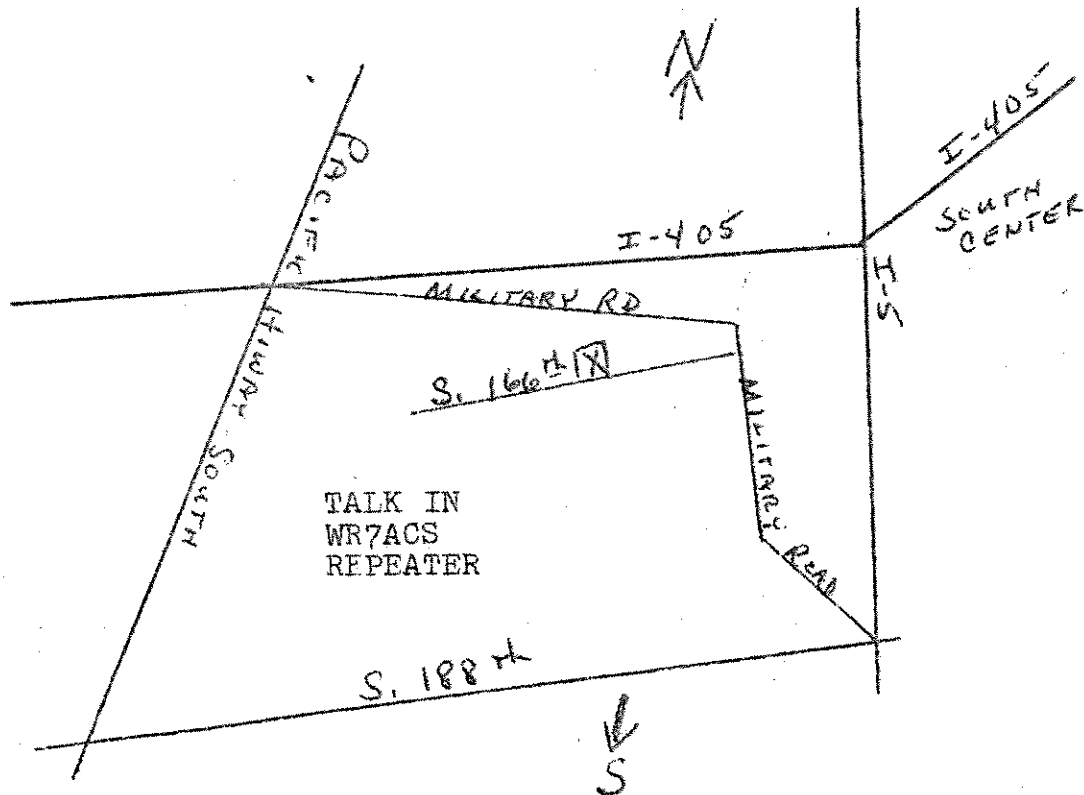
Jane Beatty has volunteered her services to the Relay as a relay station for news or information anyone wishes to submit for publication - call her at 364-1564.

K7IPQ, K7YRQ and +1 have been continuing to work diligently on a CB-TVI problem - let's hope it has been resolved. Sold any houses this week, Bev? Darlene? any other real estate people in, or associated with, the club?

It seems people differ: Some object to the fan dancer, others to the fan.

Be sure to give Kathy and Karon both your change of address if you should change your residence.

1976 CHRISTMAS PARTY - DECEMBER 4, 1976



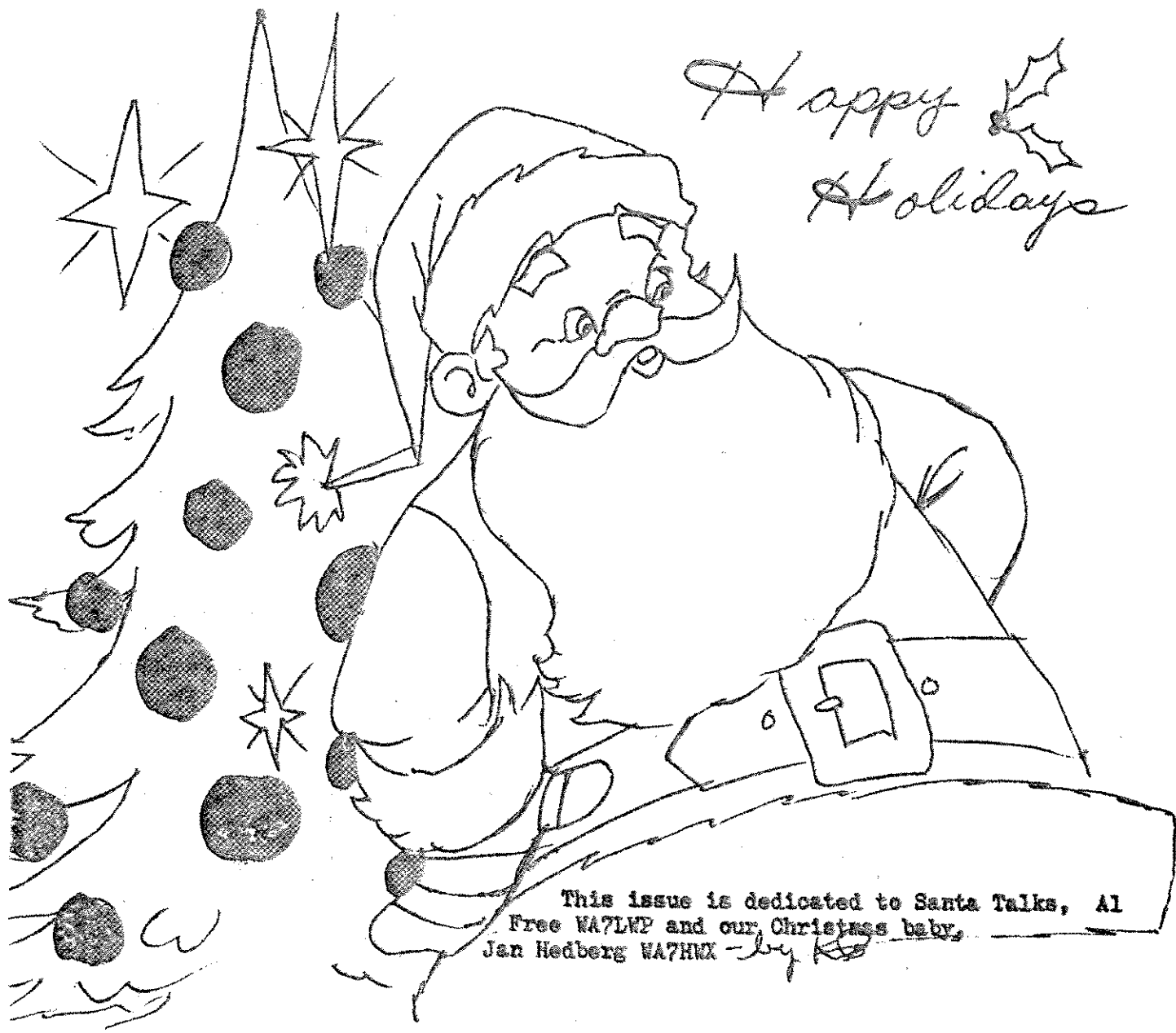
MCMICKEN HEIGHTS IMPROVEMENT CLUB - 3730 S 166th Street, Seattle
BYOB and Potluck Dish. Live Music. Coordinate food with Dave
and Linda at 631-6836. Check with Mike, WB7AYU for last minute
reservations. See you there!


WR7ABP 52.7/53.16 -- is in the process of separating transmitter
and receiver, and will be returning to normal power and sensi-
tivity - will not be waiting until Spring to take care of this.
We would like to take this opportunity to thank you for the
donations of bucks and equipment. Jon Marcinko, W7FHZ

WR7ACS 147.81/147.21 is being plagued with noise during daytime
operation. K7IPQ and WA7TIB are trying to run down the problem
but so far have struck out. Time checks show the machine is
averaging between 40 and 45% on the air time during most 24-hour
periods.

SHORT BURSTS: Santa Talk Al got with the program - see the
schedule in this edition of when and where to listen for Santa
and the kids and stand by for a few humorous and touching
hours on Amateur radio. Better yet, call Al and get involved!

Never buy anything with a handle on it...it means work!



Happy 
Holidays

This issue is dedicated to Santa Talks, Al
Free WA7LWP and our Christmas baby,
Jan Hedberg WA7HWX *by K2*

K7LED RELAY
Mike and Key Amateur Radio Club
c/o 750 South 317th
Federal Way, WA 98003