

K7LED • RELAY



VOL. 4 NR. 7

NOV. 1976

CLUB OFFICERS

President.....WA7WMC.....Clay Freinwald
Vice-President.....WA7TOM.....Dave Grant
Secretary.....WA7WMD.....Kathy Freinwald
Treasurer.....WA7TIB.....Al Jensen
Activities Manager.....W7JIE.....Gib Gibson
Radio Officer.....K7IPQ.....Pete Policani

TRUSTEES

Ken Rau, K7YRQ Ken Jackson, K7PZX Jim Strang, W7GPW
Pete Hedberg, K7WIG Chris Holt, WA7RJW

The K7LED Relay is the official publication of the Mike and Key Amateur Radio Club, Inc., 750 South 317th, Federal Way, Wa. 98003. Articles for publication should be addressed to Karon Policani, 750 South 317th, Federal Way, Wa. 98003. Deadline is the 20th of the month preceding date of publication. Articles may be quoted fully or in part without prior permission provided the K7LED RELAY is credited.

HAPPY BIRTHDAY- NOVEMBER 1976

NOVEMBER 2 BEV BANES WB7 ACS
NOVEMBER 4 KEN RAU K7YRQ
NOVEMBER 7 DIANA BECKER
NOVEMBER 10 MARY LEWIS W7QGP
NOVEMBER 13 KARON POLICANI WA7WVJ
NOVEMBER 14 JIM AESCHLIMAN WB7AHD
NOVEMBER 27 MICHAEL NAUMOFF K7LYK

COVER ARTWORK: JANET PATJENS WA7WMB

THE PRESIDENTS CORNER.....

One of the hardest problems that one faces sitting in this chair is coming up with the "Right" ideas and when they turn out to be "Wrong" ones making the right decision for next time....This problem is one that every officer of our club faces from time to time. I know I can speak for Gib for there have been many club activities that he has put long hours into and only to have them fall flat on their _____ due to lack of participation....In a recent instance, Karon felt this with the auction. The question before us is how do we better anticipate the wishes of the club? The auction was not what I'd call a bust, but due to the turn out it was crystal clear that the wishes of the club were not truly carried out by your elected officers and their appointed committee. As we go forward with our planned activities, we do so with a little fear that what we are doing is wrong.... How do we correct this? This, my fellow club members, is up to you. All I can say is by sitting on your hands with your mouths closed when these activities come up for discussion is not the way to exert your feelings into the directions taken by the club. Had the majority of the club members taken part in this recent activity...even on the discussion level many months back, this situation could have been averted. Its hard to come up with committee heads for club activities and will, in light of recent happenings, be even harder.

May I hear from you?

Clay Freinwald, WA7WMC
President
MIKE AND KEY AMATEUR
RADIO CLUB, INC.

BOARD MEETING 9-11-1976

Meeting was called to order by President Clay Freinwald. Board members not in attendance were Ken K7PZX, Ken K7YRQ, and Chris WA7RJW.

Board approved applications for membership submitted by Joe Rutledge WB4ESE, Ron Patton WB7AFX, Dale Farrell K7MPZ and Dick Eylander WB7BOR. Board agreed that voting on membership applications at general business meetings would be done by a show of hands after nonmembers have left the room, rather than by secret ballot.

A letter from Mrs. Carbonatto was read concerning people driving on the grass and breaking off sprinkler heads at the center.

New convention delegate is Al Jensen WA7TIB with alternate delegates being WA7WVJ and WA7ELI.

Gib reported the location of the monthly nohost dinners will be rotated as well as the dates of same.

Meeting adjourned at 11:00 AM.

Approved: 10-16-1976

GENERAL BUSINESS MEETING 9-18-1976

Meeting called to order by President Freinwald. Guests were introduced. Announcements were made; K7CTW, WN7ETI and WN7CBL upgraded. WA7WVJ received her license. K7KOT and Linda Tillett have a new boy, Brian. Letter to K7BNN was read.

Additions to Bylaws, Sections 4A and 4B were approved by membership.

Membership applications were voted on and approved for WB7BOR, WB7AFX, K7MPZ, WB4ESE, WN7CBL, K7UGQ, WB7ETI and WN7CTB.

Treasurer reported starting balance of \$677.36, receipts of \$37, outgoing \$244.99, with balance of \$469.37. Raffle fund has \$167.56.

Activities report included: Rotation of location of no-host dinners and dates. The Oct. 8 dinner will be combined with the Convention Committees monthly meeting. November 6 will be visit to the 911 center at 10 AM. Christmas party December 4 with K7PZX officiating. Pete P. will present a Motorola training film in February. K7PZX needs music for Xmas party and volunteers for committees - function will be at McMicken Heights Improvement Club. We will continue with social activities.

Karon reported on Auction for Oct. 2. Crew starts at 7AM, registration at 8, auction begins at 10 - ends at 8. First come first served. K7LED for talk in. K7LED call went by drawing to WA7WVJ.

Convention delegates are now Al Jensen, main delegate; Karon Policani second delegate; and Lew Rambo, third delegate. New convention chairman is Les Jacobs, WA7NXC. Al Jensen is tentative program chair.

GENERAL BUSINESS MEETING (continued)

Karon needs help with October paper. Coffee and donut fund is holding its own. Elmo will contact W. R. News for new hams in area.

Old Business: Novice classes will be taught by Harry Lewis and Rick Beatty. They will notify club of arrangements.

New Business: Question of whether minutes should be read at each meeting or published in the Relay and posted at meetings. Club elected to publish approved minutes in Relay and read minutes at each meeting. Therefore, all approved meeting minutes will be published.

Jan Hedberg asked club if they would be interested in publishing a cookbook with proceeds to go to the Mike and Key Club and 10% going to the Convention Committee for Womens Activities at the ARRL Division Convention. A motion was made to undertake a cookbook project to offset cost of various women's activities, with 10% going to Convention Committee, passed.

Motion to give Ken K7PZX authority to spend a maximum of \$250 for music for the Christmas party was passed.

Meeting adjourned at 1200.

Approved: 10-16-1976

THE PHOENIX ASSOCIATION FOR GIFTED AND TALENTED STUDENTS IS A NONPROFIT CORPORATION ORGANIZED FOR THE FOLLOWING PURPOSES:

To provide enrichment or special talent opportunities for gifted and/or talented students beyond those available in the public school setting.

To provide, and foster, parent training opportunities which focus on the needs of gifted or talented students.

W7GSG, Myron Savage, requests any interested members of the MIKE and KEY AMATEUR RADIO CLUB, who can possibly take part in a project to interest these students in amateur radio, and/or, their specific vocation that in some way is related to electronics, to contact him at 246-5636. Emphasis is on doing and discovery type learning opportunities. Field trips to show these students your activities are encouraged.

Tentative schedule for these sessions will start November 8, with class gatherings twice a week for a period of one hour after school. There will be a total of 16 one-hour periods to work with these students, and to show them a cross section of the electronic world. If you can afford one hour of your time please call Myron to take part in this rewarding project. Who knows...maybe we will generate a whole new generation of amateurs for membership in the MIKE AND KEY AMATEUR RADIO CLUB.

MIKE AND KEY ACTIVITIES FOR THE NEXT FEW MOMENTS:

6 November (Saturday)

A conducted tour of the Seattle Police Department Communications Center. This is the "911" emergency computerized hub of all emergency calls for Seattle. All M & K are invited, however, you must be on time! If you are late the SPD says you'll just miss the tour. We meet at 4th floor lobby of the Seattle Public Safety Building. 10 AM or 1000 hours or 1700 UTC is departure time for the Tour.

13 November (Saturday)

M & K Monthly Social Dinner. This is a no reservation dinner at the PIZZA AND PIPES, 2014 Mildred West, Tacoma. The organist starts playing at 6 PM so we can use that as a good start time. Without reservations, we'll just have to sit where we can and hope we collect in a kind of bunch. (Ed. note: sit discriminately and we can sit together.) C U Thar Podner!

20 November (Saturday)

7:30 AM M & K Executive Board meeting. The Turkey House, 17794 Southcenter Parkway. (Across from Levitz and next door to Doces). Visitors are welcome but yu pay for yur own breakfast.

20 November (Saturday)

10 AM Regular Monthly Mike and Key Business Meeting. Good Neighbor Center, 305 South 43rd, Renton; Across from valley General Hospital. Bring a guest, proposed member, budding Amateur and your favorite love affair (Really? Gib) Open to all. Coffee and donuts (for a small fee), lotsa talk and good friendship. Yawl come!

4 December (Saturday)

The Annual M & K Christmas Party. McMicken Heights Improvement Club, 3730 South 166th. K7P2X is looking for more people to volunteer for various committees...should be a really fine party. Contact Ken if you want to help...824-7388 after 6PM.

18 December (Saturday)

Monthly Board and General Business Meetings. By the way, there is no social dinner this month.

1 January HAPPY NEW YEAR!

Then there is 1977. We have some interesting guided tours, social dinners, excellent training films on the care and feeding of portable and hand held equipment, dinner theatre dates, a seminar on microprocessors, a speaker who knows amateur antennae and much much more. Details in later issues of the Relay.

MIKE AND KEY ACTIVITIES (continued)

16 January 1977 (Sunday)

Sunday at the Cirque Theatre, 131 Taylor Avenue, Seattle. Bob Crane of Hogan's Heroes will star in Beginner's Luck, a comedy. Mike and Key has only 50 tickets reserved for this Sunday matinee so you must get in early. Buffet starts at 4 PM and show starts at 5:45 PM. Price for the group booking is \$10.50 per person. We must have a total number of paid reservations to report to the Cirque no later than the 10th of January. If you have not made your reservations and paid for same by then, you will not be with the rest of us! Sue Needham is in charge and has the tickets. Contact Sue at 883-2775, or Les Jacobs, 363-4169 after 5:30 PM, or Dave Grant at 631-6836 evenings. They will take your reservations

16 April 1977 (Saturday)

Annual Banquet. Debi Holt is in charge and is looking for input if you have suggestions to improve our biggest bash. No use waiting til the last minute--start with your suggestions and offer of help for Debi now to make this the best ever.

73, Gib, W7JIE

NOVEMBER 7, SUNDAY

2 Meter Transmitter Hunt starting at 11:00 AM. Frequency 146.58 FM. \$1.00 registration fee will go into pot and first one to transmitter will pick up pot. Registration will end noon, Saturday, November 6.

Contact: John WA7YIG, Tom WA7TBP, Bev WB7ACS, Sue WB7DBZ or Ken K7YRQ for information.

RULES: Transmissions will be for approximately 1 minute out of every five minutes and may consist of normal chatter or clues to location. Transmitter sight will be accessible by 2-wheel drive vehicles or within 100 yards of such access. In case of a tie, the pot will be equally divided.

Good luck.

John, WA7YIG

Deer Edditer:

It has cum tuh my attenshun that there is a mistook in the M & K Relay. This mistook is caused by the numbers "7" and "3". When they is put togedder (73), the meaning is appostid to mean: Best Regards. But sumtimes it is printed in the above and afore men-shuned newspaper as "73's". Which makes hit mean: Best Regardes-es". Which ain't gud english. And we don wanna have no ungood english in our honnerabobble publication.

Thankee Kindly, Ma'am and 88 to U and the fambily.

EDITOR'S NOTES

We seem to have a small problem that needs rectifying in the Mike and Key Club called lack of participation. If any events in future are to be successful, club participation is a must. If you do not wish to participate, then please vote against that event - don't approve it if you aren't planning on attending or participating in some manner. This action in itself will give the club a gauge in advance as to how successful an event will be.

On October 2, 1976, the Club held its auction at the Seattle Center in the Olympic Room - Capacity 485 persons. The date, sight, admissions fee and other pertinent details were all voted on at club meetings and received unanimous approval (no dissenting votes). There were 112 persons registered at the event. In attendance were 31 members of the M & K Club, over 20 of whom were participating in the Auction Committee and 1/3 of that number were women. In other words, over 70% of the club, mostly of the male gender, were not in attendance. The Auction was successful in that it paid for itself and made \$51 for the club treasury. I was extremely disappointed in the lack of participation, particularly of our own club members. Had those of you who did not attend voted against the auction it would not have been held.

I asked for input of a constructive nature at the October 16 meeting and have heard from no one todate. If this is a true indication of the club's desires, and I must believe from all appearances that it is, then future activities are going to suffer and auctions are going to be nonexistent. In the past couple of years, the auction has been our major money making event. We are going to need another source of income in future and input is going to be necessary.

Contrary to what some of you may believe, this is not meant as a chastisement but food for thought.

HAMMING IT UP IN THE KITCHEN

Todate, Jan WA7HWX has received about 30 recipes for our club's recipe book. To even consider this project we need to have at least 250 recipes -- that is less than 5 recipes per club member. Please don't let this be one more club project that fails for lack of input. Surely, all of you must eat sometime and the person is extremely rare who does not cook something at least once a day. We need all types of recipes and anyone is welcome to send them in. You do not have to be a member of the club, in fact other clubs are welcome to contribute. Steal your neighbors lasagna recipe, or your best friends Sunday waffle recipe. Beg Grandad's homebrew or wine recipe. Make up your own special sauce recipe but be sure you check out your measurements before submitting it. So what if we wind up with 15 recipes on how to prepare a roast? December 31, 1976 is the deadline. So, pass or fail, the recipe book is up to each and every one of YOU.

SHORT BURSTS

The editor welcomes any input for this particular column and if you should like to contribute, please feel more than free to do so...it is your club and your club newspaper.

Dave WA7TOM and Linda WB7DVX have started their tower project and the base section is set. Charlie WA7ZLV and Diana Hough have a second daughter born October 1, welcome Amanda, and Charlie still managed to make the auction for a few hours with his wife's blessing.

Kathy is recuperating and Clay's fingernails are really clean these days...wonder if he'll break down and get her a mechanical dishwasher soon? A week of vacation spent doing domestic duties. Correction: VE7AZT's new bride's name is Caren.

The Fife Kaffee Klatch is growing...they'll soon be calling the watering hold the Fife Amateur Radio Club.

Don Jones, WB7CBL, one of our newest club members, has had all kinds of excitement -- a new daughter Francis born September 24, voted into the Club October 16 and drew the Club call, K7LED/7 the same day--listen for him.

Did you notice that Gib almost forgot to give his joke of the day at the last club meeting and had to be reminded before we could adjourn for the afternoon?

Pete Hedberg spent one whole week in October in the Puget Sound Area -- could you handle that one, Jan?

Rick W7HSC says thank you to Al WA7TIB for passing along the crud.

You might be interested to know that WA7TIB and K7IPQ went logging October 23 on Cougar Mountain and this time did not have to put out a distress call to W7GPW to bail them out. Must be gaining some experience in the field.

There will be a Christmas Party Committees meeting at WA7TOM's QTH at 2PM October 31 (trick or treat) and volunteers are still needed...call Ken K7PZX 824-7388 or Barbara Skoog-decorations, Mike Cross-reservations, Dave and Linda Grant -food and kitchen. Music has been obtained and we are really looking forward to it all.

K7IPQ has gone from 1½ lengths of the Tacoma Elks swimming pool to 55+ every night -watch out Mark Spitz! Only problem is his memory has become even soggier.

K7PZX has a new female friend - well, semi-new anyway. Les says shes Okay.

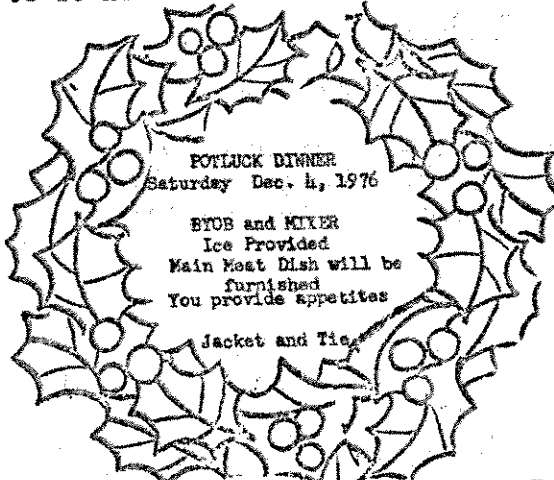
WA7RJW is getting quite a bit of practical experience putting together his handy-talky...when its completed, Chris should be a real expert on that particular model. I also hear he is ready to put his van on the sales market.

With two soccer players in the house, K7WTG is going to have to start wearing shin guards if he plans on spending so much time at home -- we hear Brian is getting pretty proficient in the game. We sure are missing a few formerly familiar faces at club meetings.

..Santa Talk Al, Consolidated Bill, SPD Jerry, Sunstrand George, Ceramics Bette, Mama Linda, and Glorious Gloria to name but a few. Going to have to shake a few sheets on Saturday mornings and get them to a few meetings!!!! It seems L.G. has developed an almost insatiable thirst for White Cadillacs.

CHRISTMAS PARTY

The Mike and Key Amateur Radio Club presents its Fifth Annual Christmas Party to be held at the McMicken Heights Improvement Club



LIVE MUSIC ENTERTAINMENT

Attitude adjustment hour begins at 7:30 PM
Dinner from 8:30 to 9:30
\$4.00 per person

DON'T MISS THIS ONE-Return your reservation today!

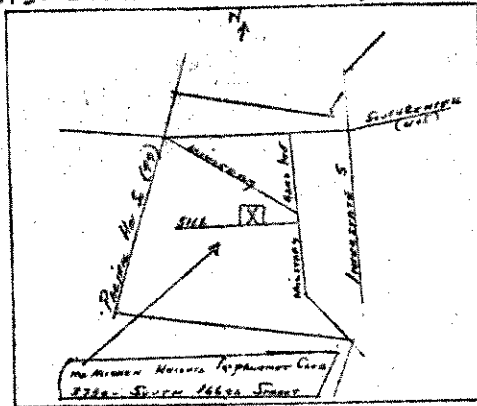
Members and guests welcome

McMicken Heights Improvement Club
3730 South 166th Street, Seattle

Talk in on
WB7ACS
Repeater

Limited to
120 Bodies

COME AND JOIN
THE FUN!



Food Coordinators - - - - LINDA AND DAVE GRANT Phone 631-6836
Call and let us know what Potluck dish you are planning to bring.

----- Clip ----- Clip ----- Clip -----
Mail your reservation before November 27th to:
Mike Cross, WB7AYU 5803 - SW Hanford, Seattle, Wa 98116
with your check for \$4.00 for each member of your party.

Name _____

Number in your Party _____

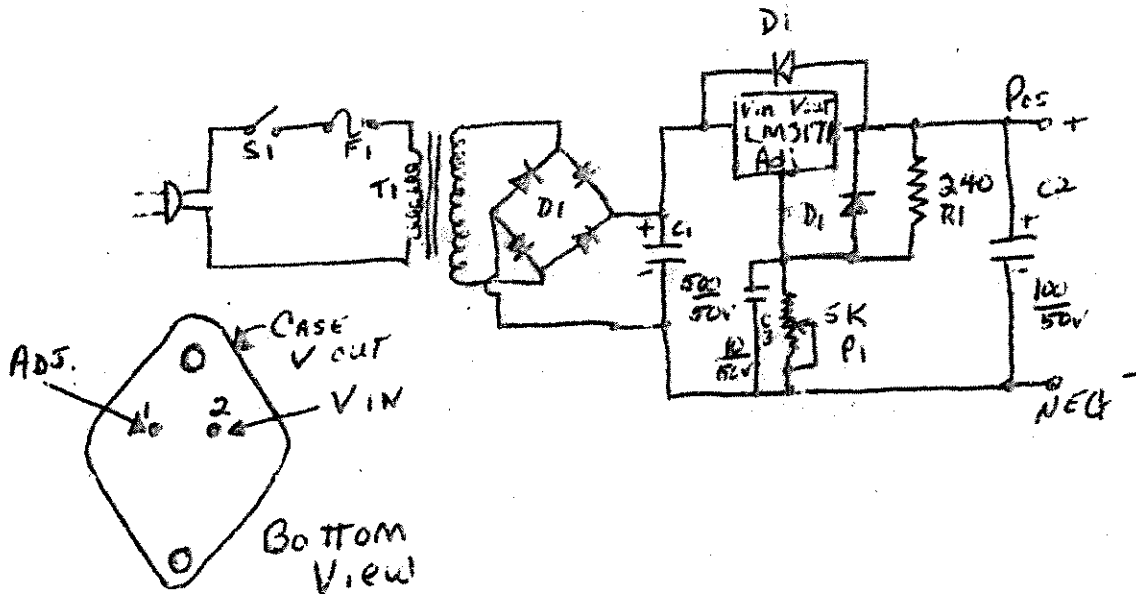
Amount enclosed _____

Make Checks payable to:
Mike and Key Amateur Radio C

POWER SUPPLY DESIGN #2

1.2 to 30 Volts 1.5 AMP using the LM317K

An easy to build, low cost unit with an adjustment range from 1.2 to over 30 volts. Features short circuit protection, thermal shutdown and is almost indestructible.



- S1 Switch 120v type
- F1 Fuse 1.5 AMP "slo-blow"
- T1 24v Fil Trans 2 AMP
- D1 In 4002 or equiv
- C1 500 MFD @ 50 WVDC
- C2 100 MFD @ 50 WVDC
- C3 10 MFD @ 50 WVDC
- P1 5K Ω Pot
- R1 220-270 Ω Resistor

For More Information or
help call Charlie, WA7ZLV

K7LED RELAY
MIKE & KEY AMATEUR RADIO CLUB
750 SOUTH 317TH
FEDERAL WAY, WA 98003