

ISSUE #19
VOLUME #1

MIKE AND KEY RADIO CLUB
K7LED RELAY

CHRISTMAS 1974

This is the season of peace and good cheer, it has been said. The year of 1974 has seen many changes in our world. We have seen our national leadership in disgrace and many of the things we held sacred completely destroyed. Each of us have had our very own problems. We have had wives ill, children injured, and have lost some of our members. We have all been touched by some sort of sadness. Within our group we have had personal disagreements and differences. Our differences here and can be resolved; our wives have and are getting well; our children are recovering from their injuries. We will never recover our loses but the hurt will leave. When we cry because we have no shoes, we can always see the one who has no feet to put the shoes on. Along with this as we count our other blessings, Bette and I wish each and everyone of you and yours the MERRIEST OF CHRISTMAS and the HAPPIEST OF NEW YEAR..... WA7LWP

CHRISTMAS PARTY 1974

We need help decorating the hall. Please be at the McMicken Club House at 12:30 on Saturday, December 7th. Remember the price has been reduced to \$3.00 per individual. You that sent \$3.75 will get refunds as soon as possible. Ladies, please be sure and contact Bette or Karen about the hot dish you plan to bring.

Bette Free 885-5742
Karen Foliani 839-8292

CONGRADULATIONS TO DENNY, K7DCC ON HIS ADVANCEMENT FROM CONDITIONAL TO GENERAL CLASS LICENCE. GOOD WORK..... K7YRQ

In conversation with Clay, WA7WMC, he stated that it would be fun to compare licence classes of our club members to the national average. According to reports there are some 255,111 licensed amateurs in the United States. Our club now boasts some 67 members with more showing interest. HERE IS THE COMPANISON!

	<u>National Average</u>	<u>M&K Club</u>
Novice	8.5%	3.0%
Technican	19.1%	34.3%
Conditional	42.5%	29.8%
General	↓	↓
Advanced	23.0%	22.4%
Extra	5.0%	4.5%
Other (Club)	1.9%	6.0%
TOTAL	100.0%	100.0%

Non Amateur

From the above it appears we as a club would work harder to update the novice, technican and general classes to make the national averages. According to Prose Walker, the chief of the Amateur & C.B. section, amateur radio is losing some 350 amateurs a month.

WHAT HAVE WE DONE TO HELP NEW COMMSBS LATELY? CAN THE CLUB DO ANYTHING?..... K7YRQ

Several Sundays ago in the rain, our tower trailer and crankup tower was delivered to Bill's (K7LHY) house. In order to proceed with work, we need such things as steel plates, steel angles, pipe, channels, plywood sheets for construction. In addition we need two 15" tires, and most of all we need ideas and help. See Bill, Pete (IPQ), Ken (PZX), Chuck (EB) with your ideas. If you have any steel shapes around, please contact Bill.

47YRQ

WANT TO STRETCH YOUR FOOD DOLLAR? HEAR ARE A FEW HELPS. Save the last of the loaf this time of the year and make your own dressing for the turkey.... or make crumb crusts for pies....1 1/2 cups dry bread crumbs combined with 6 tablespoons margarine and 1/4 cup sugar and 1 teaspoon cinnamon...Pressed into a pie pan and baked 10-15 minutes in a 350 oven will make it ready for almost any pie filling or instant pudding mix. Mayonnaise too high???? Try this in your blender.....1/2 cup evaporated milk add seasoning...a sprinkle of salt and paprika then form the emulsion by adding 1 cup salad oil...slowly at first...then 2 tablespoons lemon juice last. Blend well. This dressing thickens and may be diluted with water, milk or fruit juices. When making any mayonnaise type dressing...be sure all ingredients are at room temperature. Did you ever try putting salad oil in a plastic bottle with a dispenser spout?.....Here are some REAL SAVERS.....Did you ever consider the saving of buying in larger quantities and using the glass or plastic containers you throw away or recycle...Re-cycle them yourself....Buy 25 lbs. of flour instead of the 5 and 10 lb. size; it will save you trips to the store and the re-cycling center!

FROM MIDGE DODGE'S KITCHEN

WR7ACS REPEATER

It was my pleasure to see the repeater package on Cougar Mountain. I always thought it was a neat package, but I never knew how neat. If you have been like me and used the repeater but never seen it, you will be as pleased as I was. I know now just why we have such good coverage. I didn't understand everything I saw, but I do know I saw an awful lot of work and skill put into that machine. I for one feel pretty fortunate to have use of the machine....

WA7LNP

SHOP AND SWAP

FOR SALE BY WA7LNP:

Motrola 80D 12 VDC 3 channels with crystals
Motrola 41V 110 AC power supply

FOR SALE BY K7WTG

HW-12A 80M Transceiver w/HP-13 DC supply, GH-12A mobile mike, Long Shaft
Bandspanner mobile antenna with bumper mount \$200.00

Ham-M Rotator \$100.00

T-51 6 meter mobile w/cables, control head and mike - unconverted \$30.00

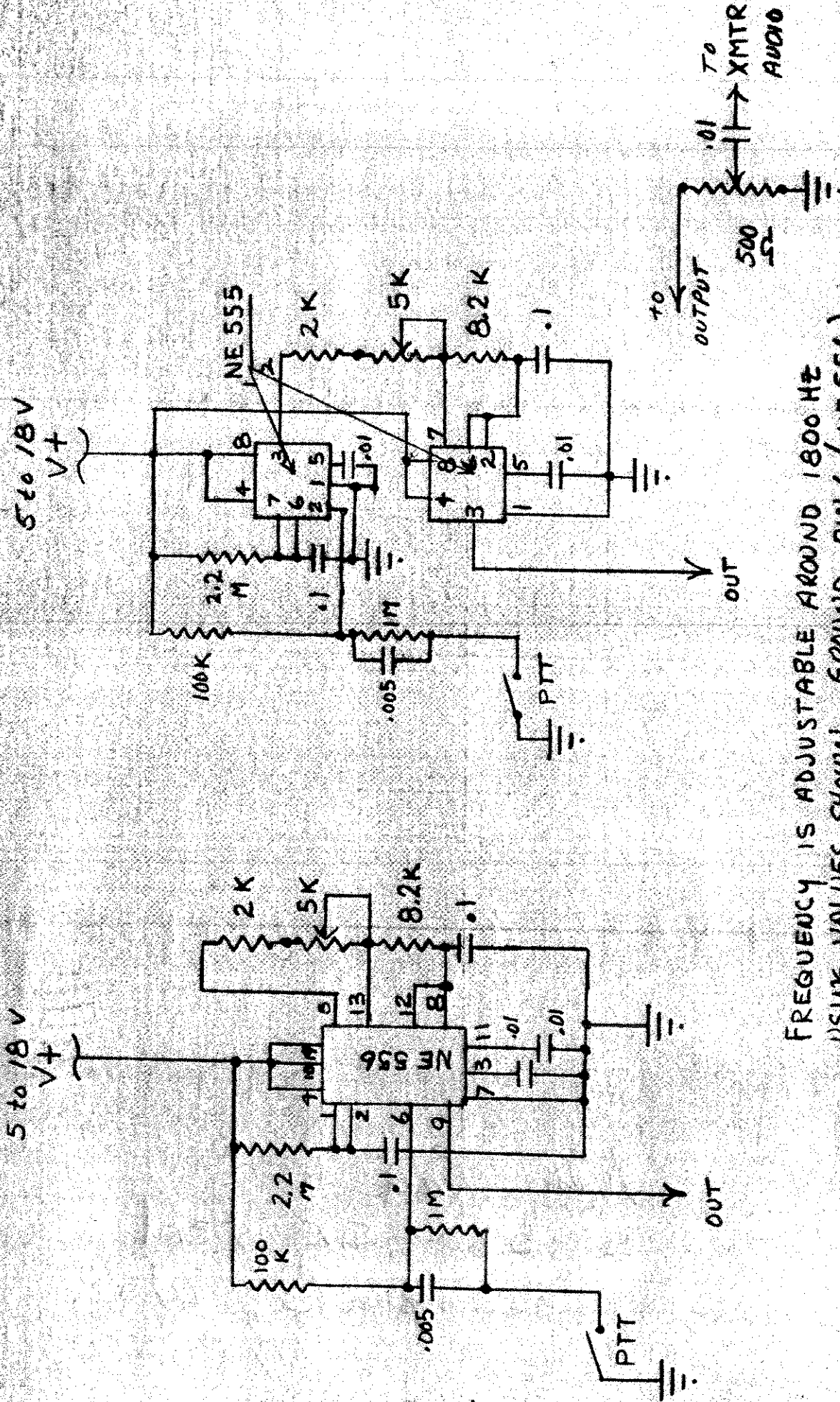
4-1000A tube with socket \$60.00

FHTR-1 6 meter handie-talkie converted with crystals 53.46 \$15.00

FH2TR dual transmitter 6 meter handie-talkie - unconverted \$10.00

4 element HyGain 6 meter beam \$25.00

TONE BURST OSCILLATOR



FREQUENCY IS ADJUSTABLE AROUND 1800 HZ USING VALUES SHOWN. GROUND PIN 6 (NE556) PIN 2 (NE555) AND ADJUST THE 5K POT FOR 1800 HZ. WHEN PTT LINE IS GROUNDED A 350 MS. 1800 HZ TONE BURST WILL BE GENERATED. FREQUENCY IS INDEPENDENT OF LINE VOLTAGE. **GND W760B**