

THE K7LED RELAY

VOL. 1 NO. 14

JUNE 18, 1974

SEATTLE, WASHINGTON

FROM THE EDITORS DESK

I was fortunate enough to attend EXPO on June 1st and 2nd. One of the highlights was my visit to the Amateur Radio Station KD7SPO. Bette and I were there with another couple, at first the station operator has no idea that I was a ham. My observations were that the station was not a fancy elaborate affair, but very functional and efficient. I was highly impressed with the individuals of very many signs or what ever to really explain what the exhibit was.

The station consists of low band gear on loan from Swan, several pieces of I.C. Gear on loan from a local Spokane Dealer, and a Slow Scan demonstration. The station is located in the "Joy of Living Building", near the Purple gate (all the gates are color coded). I talked to several of other operators and highly impressed with their friendliness and dedication to the success of the exhibit. I feel that this sort of program is equal to Field Day, S E T in its publicity value to Amateur radio. I have not mentioned anyone particular individual that I met at KD7 SPO, for I feel that this is a combined effort, and I truly doubt that anyone could pull it off by himself. For these reasons and others I haven't mentioned I would really love to see our forthcoming auction to be the best ever, so that we can support these fine people that are doing so much for amateur radio.....AL....WA7LAP

FIELD DAY 1974

We were number one in seven land last year and sixth in the nation, with a lot of effort, we should be number one in the nation. Sounds a lot like the same old stuff that we always hear, but I really don't know why we can't be number one in the nation, all you have is to look back over the past two years. Chuck, WA7EBH, tells me that the county is even going to grade the dirt roads on the mountain for us, the last, I talked with him, he was making arrangements to get the Sanikan, how can we not win, with support like that? We understand that band chairmen are all busy with their strategy and getting equipment together. I sure they can use all the help we can give them now and on field day. Nobody likes to volunteer, but I havatseen an extended helping hand refused, I am sure this time is no different.

JUNE VHF PARTY

K7LED was heard from on June 8th and 9th from the top of Cougar Mt. The sun was shining, there were all kinds of rays in the air. Lots of signals were heard (some very faint QRM from the west) and quite a few contacts were made. Bob, WA7NAN, and his crew seemed to be very well organized when I visited the sight on Sunday Morning. I was glad to see as many members xx out this year, but would have been gladder to see more. Everybody seemed to have a good time and tha tis

vhf field day cont.

really what it is all about.

CALENDER OF COMING EVENTS

when	what	where	who
June 22 & 23	Field Day	Cougar Mb	WA7EBH
July 20	Auction	Kent C D or Park near by weather permitting	WA7EBH
Aug 11	Annual Picnic	Juanita Beach Same location as last year	WA7EBH
Dec 7	Christmas Party	McMicken	WA7EBH
DECEMBER	SANTA TALK	6METER REPEATER	WA7LWP
March 1975	St. Patrick Day Parade	Seattle	
First Saturday of each month		Activities meeting	
Third Saturday of each month		Business meeting	

AUCTION

July 20 is our normal business meeting and it will be very short, with a special auction held afterward, with club proceeds going to help with expenses for KD7SPO. The station at EXBO. It's for a good cause, and a good way to clean your garage.

APPLE CITY HAM FEAST

The Mike and Key Club was well represented at the Wenatchee Ham Feast. Register of attendance was WA7WMC, WA7WMD, WA7TEM, WA7EBH, WA7NIW and friend, WA7RJW and KYL, WA7SLO, K7YRQ, W7JWJ, W7QGP. Beautiful sign and beautiful weather. Local Showers were reported in a meter home.

THIS MONTHS BIRTHDAYS AND NEXT MONTHS BIRTHDAYS

JULY 1	Greg Baker	Greg will be 24
JULY 6	Debi Holt	Debi will be 21
JULY 10	Ren Henderson	
JULY 18	Louis Hellwig	These last three would tell us their age.
JULY 29	Wilfred Brush	

SWAP & SHOP

For Sale

WA7EBH	HQ-110/KAAR 2 meter 1 watt tranceiver
WA7TOM	HX-20 80-10 meter transmitter w/ HP-23 power supply
K7KOT	DRAKE 2B w/ xtal cal. and 2CQ Q-mult. NCX 3 w/ power supply

swap & shop cont.

WA7RJW

DX-60 w/ matching VFO

WA7RYQ

Motorela 80-D 2 meter mobile w/ new style control head
Polycom 6 w/ cables, bracket & IB.

Wanted

WA7NAN
K7YRQ

Several Sections of ROHN 25 G tower

WA7OEE

Prop pitch meter

WA7RJW

Five Button (multi line) phone or call director.

ToSwap

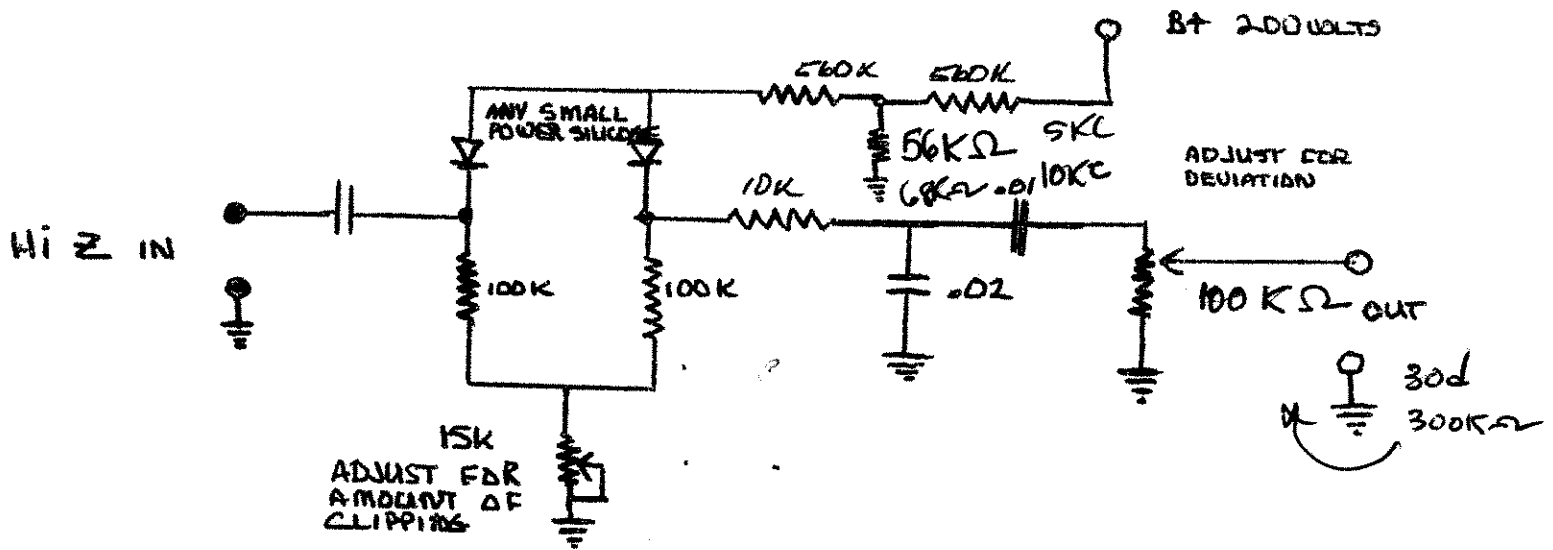
WA7WMC

Has CUSH-CRAFT Ringo Ranger 2 meter 6 DB gain Colinear
new, would like to trade for VIBROPLEX electronic keyer
paddle, (equal value)

NARROW BANDING WIDE BAND GEAR

ALL RESISTORS 1/4 WATT

ALL CAPACITORS ARE 200 VDC

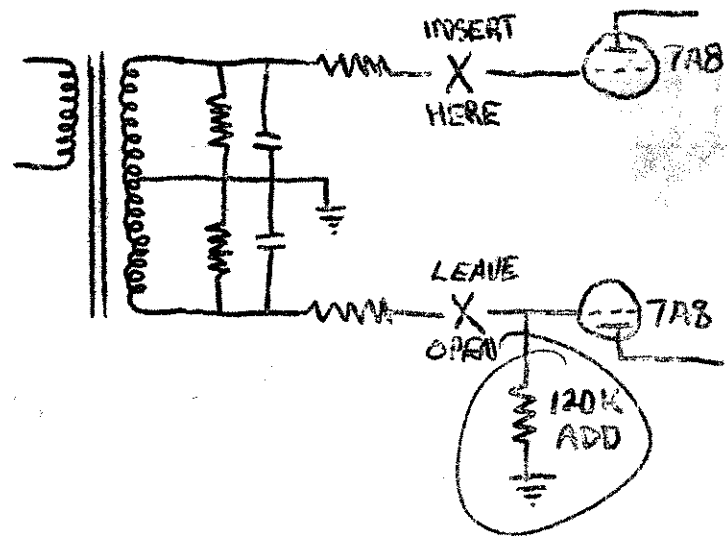
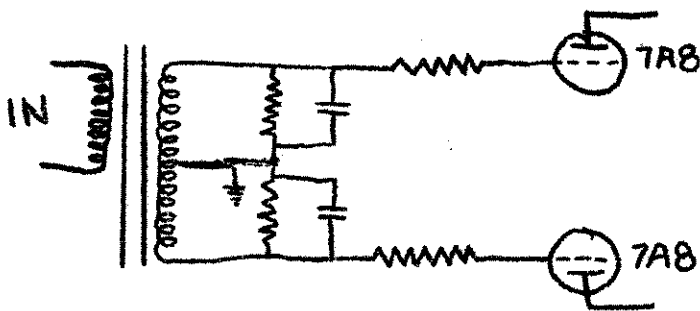


INSERT BETWEEN ANY AUDIO STAGE IN TRANSMITTER WITHOUT IDC.

HANDY-DANDY IDC CIRCUIT

(Stolen from MOTOROLA® and modified for hams.)

If used in 30D



Please Refer any Questions to

Pete K71PQ